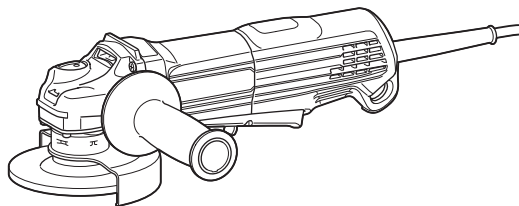


INSTRUCTION MANUAL  
MANUEL D'INSTRUCTION  
MANUAL DE INSTRUCCIONES



# Angle Grinder Meuleuse d'Angle Esmeriladora Angular

**GA4553R**  
**GA5053R**



DOUBLE INSULATION  
DOUBLE ISOLATION  
DOBLE AISLAMIENTO



Read before use.  
À lire avant l'utilisation.  
Lea antes de usar.

## SPECIFICATIONS

Model:	GA4553R	GA5053R
Wheel diameter	115 mm (4-1/2")	125 mm (5")
Max. wheel thickness	7.2 mm (9/32")	
Spindle thread	5/8"	
Rated speed (n)	11,000 /min	
Overall length	325 mm (12-3/4")	
Net weight	2.5 - 2.7 kg (5.5 - 6.0 lbs)	
Safety class	□/II	

- Due to our continuing program of research and development, the specifications herein are subject to change without notice.
- Specifications may differ from country to country.
- The weight may differ depending on the attachment(s). The lightest and heaviest combination, according to EPTA-Procedure 01/2014, are shown in the table.

### Power supply

The tool should be connected only to a power supply of the same voltage as indicated on the nameplate, and can only be operated on single-phase AC supply. They are double-insulated and can, therefore, also be used from sockets without earth wire.

## SAFETY WARNINGS

### General power tool safety warnings

**⚠WARNING:** Read all safety warnings, instructions, illustrations and specifications provided with this power tool. Failure to follow all instructions listed below may result in electric shock, fire and/or serious injury.

### Save all warnings and instructions for future reference.

The term "power tool" in the warnings refers to your mains-operated (corded) power tool or BATTERY-operated (cordless) power tool.

#### Work area safety

1. **Keep work area clean and well lit.** Cluttered or dark areas invite accidents.
2. **Do not operate power tools in explosive atmospheres, such as in the presence of flammable liquids, gases or dust.** Power tools create sparks which may ignite the dust or fumes.
3. **Keep children and bystanders away while operating a power tool.** Distractions can cause you to lose control.

#### Electrical Safety

1. **Power tool plugs must match the outlet. Never modify the plug in any way. Do not use any adapter plugs with earthed (grounded) power tools.** Unmodified plugs and matching outlets will reduce risk of electric shock.

2. **Avoid body contact with earthed or grounded surfaces, such as pipes, radiators, ranges and refrigerators.** There is an increased risk of electric shock if your body is earthed or grounded.
3. **Do not expose power tools to rain or wet conditions.** Water entering a power tool will increase the risk of electric shock.
4. **Do not abuse the cord. Never use the cord for carrying, pulling or unplugging the power tool. Keep cord away from heat, oil, sharp edges or moving parts.** Damaged or entangled cords increase the risk of electric shock.
5. **When operating a power tool outdoors, use an extension cord suitable for outdoor use.** Use of a cord suitable for outdoor use reduces the risk of electric shock.
6. **If operating a power tool in a damp location is unavoidable, use a Residual Current Device (RCD) protected supply.** Use of an RCD reduces the risk of electric shock.
7. **Power tools can produce electromagnetic fields (EMF) that are not harmful to the user.** However, users of pacemakers and other similar medical devices should contact the maker of their device and/or doctor for advice before operating this power tool.
8. **Do not touch the power plug with wet hands.**
9. **If the cord is damaged, have it replaced by the manufacturer or his agent in order to avoid a safety hazard.**

#### Personal Safety

1. **Stay alert, watch what you are doing and use common sense when operating a power tool. Do not use a power tool while you are tired or under the influence of drugs, alcohol or medication.** A moment of inattention while operating power tools may result in serious personal injury.
2. **Use personal protective equipment. Always wear eye protection.** Protective equipment such as dust mask, non-skid safety shoes, hard hat, or hearing protection used for appropriate conditions will reduce personal injuries.

3. **Prevent unintentional starting. Ensure the switch is in the off-position before connecting to power source and/or BATTERY pack, picking up or carrying the tool.** Carrying power tools with your finger on the switch or energising power tools that have the switch on invites accidents.
4. **Remove any adjusting key or wrench before turning the power tool on.** A wrench or a key left attached to a rotating part of the power tool may result in personal injury.
5. **Do not overreach. Keep proper footing and balance at all times.** This enables better control of the power tool in unexpected situations.
6. **Dress properly. Do not wear loose clothing or jewellery. Keep your hair, clothing and gloves away from moving parts.** Loose clothes, jewellery or long hair can be caught in moving parts.
7. **If devices are provided for the connection of dust extraction and collection facilities, ensure these are connected and properly used.** Use of dust collection can reduce dust-related hazards.
8. **Do not let familiarity gained from frequent use of tools allow you to become complacent and ignore tool safety principles.** A careless action can cause severe injury within a fraction of a second.
9. **Always wear protective goggles to protect your eyes from injury when using power tools. The goggles must comply with ANSI Z87.1 in the USA. It is an employer's responsibility to enforce the use of appropriate safety protective equipment by the tool operators and by other persons in the immediate working area.**
5. **Maintain power tools and accessories. Check for misalignment or binding of moving parts, breakage of parts and any other condition that may affect the power tool's operation. If damaged, have the power tool repaired before use.** Many accidents are caused by poorly maintained power tools.
6. **Keep cutting tools sharp and clean.** Properly maintained cutting tools with sharp cutting edges are less likely to bind and are easier to control.
7. **Use the power tool, accessories and tool bits etc. in accordance with these instructions, taking into account the working conditions and the work to be performed.** Use of the power tool for operations different from those intended could result in a hazardous situation.
8. **Keep handles and grasping surfaces dry, clean and free from oil and grease.** Slippery handles and grasping surfaces do not allow for safe handling and control of the tool in unexpected situations.
9. **When using the tool, do not wear cloth work gloves which may be entangled.** The entanglement of cloth work gloves in the moving parts may result in personal injury.

#### Service

1. **Have your power tool serviced by a qualified repair person using only identical replacement parts.** This will ensure that the safety of the power tool is maintained.
2. **Follow instruction for lubricating and changing accessories.**

To reduce the risk of electric shock, this equipment has a polarized plug (one blade is wider than the other). This plug will fit in a polarized outlet only one way. If the plug does not fit fully in the outlet, reverse the plug. If it still does not fit, contact a qualified electrician to install the proper outlet. Do not change the plug in any way.

**VOLTAGE WARNING:** Before connecting the tool to a power source (receptacle, outlet, etc.) be sure the voltage supplied is the same as that specified on the nameplate of the tool. A power source with voltage greater than that specified for the tool can result in SERIOUS INJURY to the user- as well as damage to the tool. If in doubt, DO NOT PLUG IN THE TOOL. Using a power source with voltage less than the nameplate rating is harmful to the motor.

**USE PROPER EXTENSION CORD.** Make sure your extension cord is in good condition. When using an extension cord, be sure to use one heavy enough to carry the current your product will draw. An undersized cord will cause a drop in line voltage resulting in loss of power and overheating. Table 1 shows the correct size to use depending on cord length and nameplate ampere rating. If in doubt, use the next heavier gage. The smaller the gage number, the heavier the cord.

#### Power tool use and care

1. **Do not force the power tool. Use the correct power tool for your application.** The correct power tool will do the job better and safer at the rate for which it was designed.
2. **Do not use the power tool if the switch does not turn it on and off.** Any power tool that cannot be controlled with the switch is dangerous and must be repaired.
3. **Disconnect the plug from the power source and/ or remove the BATTERY pack, if detachable, from the power tool before making any adjustments, changing accessories, or storing power tools.** Such preventive safety measures reduce the risk of starting the power tool accidentally.
4. **Store idle power tools out of the reach of children and do not allow persons unfamiliar with the power tool or these instructions to operate the power tool.** Power tools are dangerous in the hands of untrained users.

**Table 1: Minimum gage for cord**

Ampere Rating		Volts	Total length of cord in feet			
		120V	25 ft.	50 ft.	100 ft.	150 ft.
		220V - 240V	50 ft.	100 ft.	200 ft.	300 ft.
More Than	Not More Than	AWG				
0 A	6 A	-	18	16	16	14
6 A	10 A		18	16	14	12
10 A	12 A		16	16	14	12
12 A	16 A		14	12	Not Recommended	

## Grinder safety warnings

### Safety Warnings Common for Grinding, Wire Brushing Operations:

1. **This power tool is intended to function as a grinder or wire brush. Read all safety warnings, instructions, illustrations and specifications provided with this power tool.** Failure to follow all instructions listed below may result in electric shock, fire and/or serious injury.
2. **Operations such as polishing, sanding and cutting-off are not recommended to be performed with this power tool.** Operations for which the power tool was not designed may create a hazard and cause personal injury.
3. **Do not use accessories which are not specifically designed and recommended by the tool manufacturer.** Just because the accessory can be attached to your power tool, it does not assure safe operation.
4. **The rated speed of the accessory must be at least equal to the maximum speed marked on the power tool.** Accessories running faster than their rated speed can break and fly apart.
5. **The outside diameter and the thickness of your accessory must be within the capacity rating of your power tool.** Incorrectly sized accessories cannot be adequately guarded or controlled.
6. **Threaded mounting of accessories must match the grinder spindle thread. For accessories mounted by flanges, the arbour hole of the accessory must fit the locating diameter of the flange.** Accessories that do not match the mounting hardware of the power tool will run out of balance, vibrate excessively and may cause loss of control.
7. **Do not use a damaged accessory. Before each use inspect the accessory such as wire brush for loose or cracked wires. If power tool or accessory is dropped, inspect for damage or install an undamaged accessory. After inspecting and installing an accessory, position yourself and bystanders away from the plane of the rotating accessory and run the power tool at maximum no-load speed for one minute.** Damaged accessories will normally break apart during this test time.
8. **Wear personal protective equipment. Depending on application, use face shield, safety goggles or safety glasses. As appropriate, wear dust mask, hearing protectors, gloves and workshop apron capable of stopping small abrasive or workpiece fragments.** The eye protection must be capable of stopping flying debris generated by various operations. The dust mask or respirator must be capable of filtrating particles generated by your operation. Prolonged exposure to high intensity noise may cause hearing loss.
9. **Keep bystanders a safe distance away from work area. Anyone entering the work area must wear personal protective equipment.** Fragments of workpiece or of a broken accessory may fly away and cause injury beyond immediate area of operation.

10. **Hold the power tool by insulated gripping surfaces only, when performing an operation where the cutting accessory may contact hidden wiring or its own cord.** Cutting accessory contacting a "live" wire may make exposed metal parts of the power tool "live" and could give the operator an electric shock.
11. **Position the cord clear of the spinning accessory.** If you lose control, the cord may be cut or snagged and your hand or arm may be pulled into the spinning accessory.
12. **Never lay the power tool down until the accessory has come to a complete stop.** The spinning accessory may grab the surface and pull the power tool out of your control.
13. **Do not run the power tool while carrying it at your side.** Accidental contact with the spinning accessory could snag your clothing, pulling the accessory into your body.
14. **Regularly clean the power tool's air vents.** The motor's fan will draw the dust inside the housing and excessive accumulation of powdered metal may cause electrical hazards.
15. **Do not operate the power tool near flammable materials.** Sparks could ignite these materials.
16. **Do not use accessories that require liquid coolants.** Using water or other liquid coolants may result in electrocution or shock.

### Kickback and Related Warnings

Kickback is a sudden reaction to a pinched or snagged rotating wheel, backing pad, brush or any other accessory. Pinching or snagging causes rapid stalling of the rotating accessory which in turn causes the uncontrolled power tool to be forced in the direction opposite of the accessory's rotation at the point of the binding. For example, if an abrasive wheel is snagged or pinched by the workpiece, the edge of the wheel that is entering into the pinch point can dig into the surface of the material causing the wheel to climb out or kick out. The wheel may either jump toward or away from the operator, depending on direction of the wheel's movement at the point of pinching. Abrasive wheels may also break under these conditions. Kickback is the result of power tool misuse and/or incorrect operating procedures or conditions and can be avoided by taking proper precautions as given below.

1. **Maintain a firm grip on the power tool and position your body and arm to allow you to resist kickback forces. Always use auxiliary handle, if provided, for maximum control over kickback or torque reaction during start-up.** The operator can control torque reactions or kickback forces, if proper precautions are taken.
2. **Never place your hand near the rotating accessory.** Accessory may kickback over your hand.
3. **Do not position your body in the area where power tool will move if kickback occurs.** Kickback will propel the tool in direction opposite to the wheel's movement at the point of snagging.
4. **Use special care when working corners, sharp edges etc. Avoid bouncing and snagging the accessory.** Corners, sharp edges or bouncing have a tendency to snag the rotating accessory and cause loss of control or kickback.
5. **Do not attach a saw chain woodcarving blade or toothed saw blade.** Such blades create frequent kickback and loss of control.

### Safety Warnings Specific for Grinding Operations:

1. Use only wheel types that are recommended for your power tool and the specific guard designed for the selected wheel. Wheels for which the power tool was not designed cannot be adequately guarded and are unsafe.
2. The grinding surface of centre depressed wheels must be mounted below the plane of the guard lip. An improperly mounted wheel that projects through the plane of the guard lip cannot be adequately protected.
3. The guard must be securely attached to the power tool and positioned for maximum safety, so the least amount of wheel is exposed towards the operator. The guard helps to protect the operator from broken wheel fragments, accidental contact with wheel and sparks that could ignite clothing.
4. Wheels must be used only for recommended applications.
5. Always use undamaged wheel flanges that are of correct size and shape for your selected wheel. Proper wheel flanges support the wheel thus reducing the possibility of wheel breakage.
6. Do not use worn down wheels from larger power tools. Wheel intended for larger power tool is not suitable for the higher speed of a smaller tool and may burst.

### Safety Warnings Specific for Wire Brushing Operations:

1. Be aware that wire bristles are thrown by the brush even during ordinary operation. Do not overstress the wires by applying excessive load to the brush. The wire bristles can easily penetrate light clothing and/or skin.
2. If the use of a guard is recommended for wire brushing, do not allow any interference of the wire wheel or brush with the guard. Wire wheel or brush may expand in diameter due to work load and centrifugal forces.

### Additional Safety Warnings:

1. When using depressed centre grinding wheels, be sure to use only fiberglass-reinforced wheels.
2. NEVER USE Stone Cup type wheels with this grinder. This grinder is not designed for these types of wheels and the use of such a product may result in serious personal injury.
3. Be careful not to damage the spindle, the flange (especially the installing surface) or the lock nut. Damage to these parts could result in wheel breakage.
4. Make sure the wheel is not contacting the workpiece before the switch is turned on.
5. Before using the tool on an actual workpiece, let it run for a while. Watch for vibration or wobbling that could indicate poor installation or a poorly balanced wheel.
6. Use the specified surface of the wheel to perform the grinding.
7. Do not leave the tool running. Operate the tool only when hand-held.


8. Do not touch the workpiece immediately after operation; it may be extremely hot and could burn your skin.
9. Do not touch accessories immediately after operation; it may be extremely hot and could burn your skin.
10. Observe the instructions of the manufacturer for correct mounting and use of wheels. Handle and store wheels with care.
11. Do not use separate reducing bushings or adaptors to adapt large hole abrasive wheels.
12. Use only flanges specified for this tool.
13. For tools intended to be fitted with threaded hole wheel, ensure that the thread in the wheel is long enough to accept the spindle length.
14. Check that the workpiece is properly supported.
15. Pay attention that the wheel continues to rotate after the tool is switched off.
16. If working place is extremely hot and humid, or badly polluted by conductive dust, use a short-circuit breaker (30 mA) to assure operator safety.
17. Do not use the tool on any materials containing asbestos.
18. Do not use cloth work gloves during operation. Fibers from cloth gloves may enter the tool, which causes tool breakage.

## SAVE THESE INSTRUCTIONS.

**⚠ WARNING:** DO NOT let comfort or familiarity with product (gained from repeated use) replace strict adherence to safety rules for the subject product. MISUSE or failure to follow the safety rules stated in this instruction manual may cause serious personal injury.

## Symbols

The followings show the symbols used for tool.

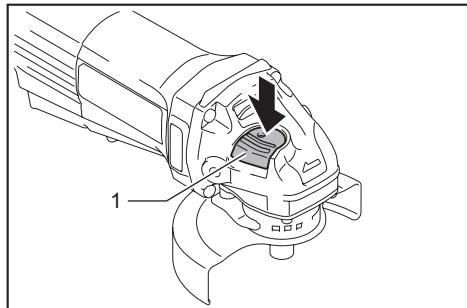
V	volts
A	amperes
Hz	hertz
~	alternating current
n	rated speed
	Class II Construction
... /min r/min	revolutions or reciprocation per minute
∅	diameter

# FUNCTIONAL DESCRIPTION

**CAUTION:** Always be sure that the tool is switched off and unplugged before adjusting or checking function on the tool.

## Shaft lock

Press the shaft lock to prevent spindle rotation when installing or removing accessories.



► 1. Shaft lock

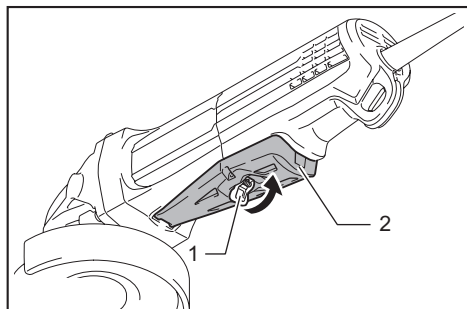
**NOTICE:** Never actuate the shaft lock when the spindle is moving. The tool may be damaged.

## Switch action

**CAUTION:** Before plugging in the tool, always check to see that the switch trigger actuates properly and returns to the "OFF" position when released.

**CAUTION:** Do not pull the switch lever forcibly without pressing the lock-off button. The switch may break.

To prevent the switch lever from accidentally pulled, a lock-off lever is provided. To start the tool, pull the lock-off lever toward the operator, and then pull the switch lever. Release the switch lever to stop.



► 1. Lock-off lever 2. Switch lever

## Unintentional restart proof

The tool does not start while pulling the switch lever even when the tool is plugged. To start the tool, first release the switch lever. Then pull the lock-off lever, and pull the switch lever.

**NOTE:** Wait more than one second before restarting the tool when unintentional restart proof functions.

## Soft start feature

Soft start feature reduces starting reaction.

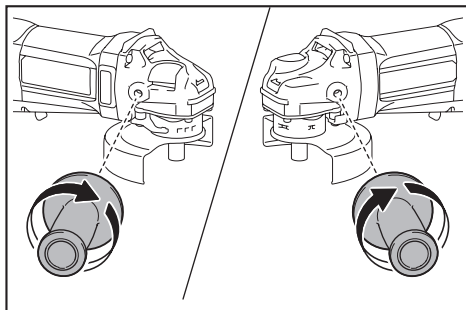
# ASSEMBLY

**CAUTION:** Always be sure that the tool is switched off and unplugged before carrying out any work on the tool.

## Installing side grip (handle)

**CAUTION:** Always be sure that the side grip is installed securely before operation.

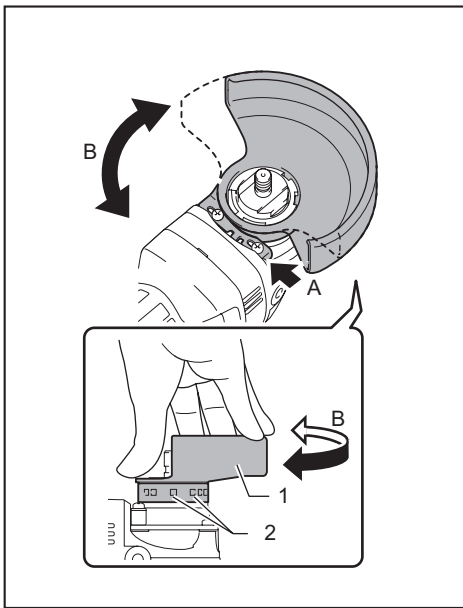
Screw the side grip securely on the position of the tool as shown in the figure.



## Adjusting angle of wheel guard

**WARNING:** Make sure that the wheel guard is securely locked by the lock lever with one of the holes on the wheel guard.

The angle of the wheel guard can be adjusted. While pushing the lock lever, rotate the wheel guard toward B, and then, change the angle of the wheel guard according to the work so that the operator can be protected. Align the lock lever with one of the holes in the wheel guard, and then release the lock lever to lock the wheel guard.



► 1. Wheel guard 2. Hole

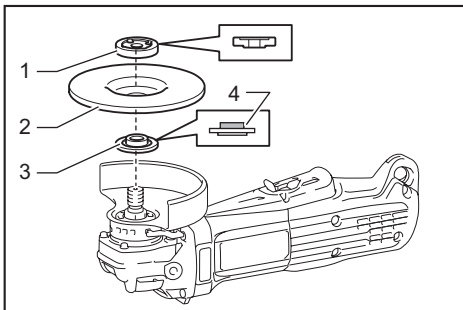
## Installing or removing depressed center wheel or flap disc

### Optional accessory

**⚠WARNING:** When using a depressed center wheel or flap disc, the wheel guard must be fitted on the tool so that the closed side of the guard always points toward the operator.

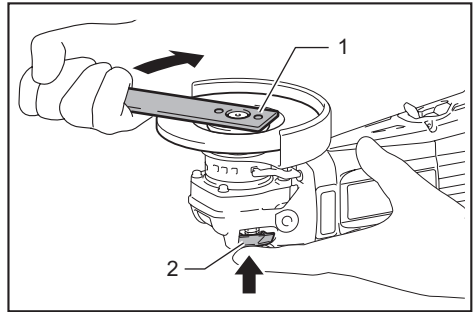
**⚠CAUTION:** Make sure that the mounting part of the inner flange fits into the inner diameter of the depressed center wheel / flap disc perfectly. Mounting the inner flange on the wrong side may result in the dangerous vibration.

Mount the inner flange onto the spindle. Make sure to fit the dented part of the inner flange onto the straight part at the bottom of the spindle. Fit the depressed center wheel / flap disc on the inner flange and screw the lock nut onto the spindle.



► 1. Lock nut 2. Depressed center wheel 3. Inner flange 4. Mounting part

To tighten the lock nut, press the shaft lock firmly so that the spindle cannot revolve, then use the lock nut wrench and securely tighten clockwise.



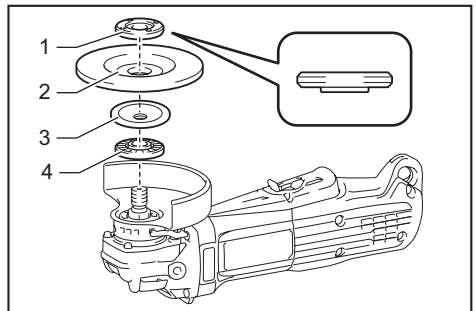
► 1. Lock nut wrench 2. Shaft lock

To remove the wheel, follow the installation procedure in reverse.

## Installing or removing flex wheel

### Optional accessory

**⚠WARNING:** Always use supplied guard when flex wheel is on tool. Wheel can shatter during use and guard helps to reduce chances of personal injury.



► 1. Lock nut 2. Flex wheel 3. Back up pad 4. Inner flange

Follow instructions for depressed center wheel but also use back up pad over wheel. See order of assembly on accessories page in this manual.



## OPERATION

**⚠WARNING:** It should never be necessary to force the tool. The weight of the tool applies adequate pressure. Forcing and excessive pressure could cause dangerous wheel breakage.

**⚠WARNING:** ALWAYS replace wheel if tool is dropped while grinding.

**⚠WARNING:** NEVER bang or hit grinding disc or wheel onto work.

**⚠WARNING:** Avoid bouncing and snagging the wheel, especially when working corners, sharp edges etc. This can cause loss of control and kickback.

**⚠WARNING:** NEVER use tool with wood cutting blades and other saw blades. Such blades when used on a grinder frequently kick and cause loss of control leading to personal injury.

**⚠WARNING:** Continued use of a worn-out wheel may result in wheel explosion and serious personal injury.

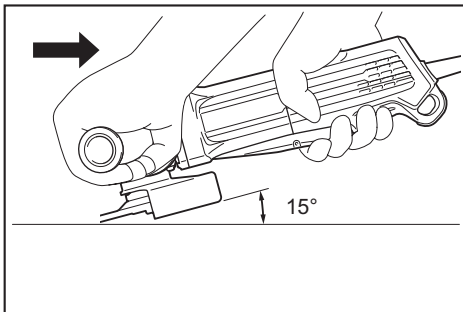
**⚠CAUTION:** Never switch on the tool when it is in contact with the workpiece, it may cause an injury to operator.

**⚠CAUTION:** Always wear safety goggles or a face shield during operation.

**⚠CAUTION:** After operation, always switch off the tool and wait until the wheel has come to a complete stop before putting the tool down.

**⚠CAUTION:** ALWAYS hold the tool firmly with one hand on housing and the other on the side grip (handle).

## Operation with wheel/disc



Turn the tool on and then apply the wheel or disc to the workpiece.

In general, keep the edge of the wheel or disc at an angle of about 15° to the workpiece surface. During the break-in period with a new wheel, do not work the grinder in forward direction or it may cut into the workpiece. Once the edge of the wheel has been rounded off by use, the wheel may be worked in both forward and backward direction.

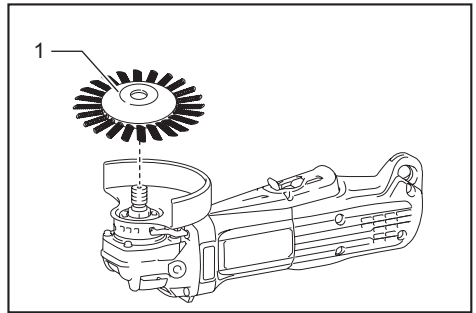
## Operation with wire wheel brush

### Optional accessory

**⚠CAUTION:** Check operation of wire wheel brush by running tool with no load, insuring that no one is in front of or in line with the wire wheel brush.

**⚠CAUTION:** Do not use wire wheel brush that is damaged, or which is out of balance. Use of damaged wire wheel brush could increase potential for injury from contact with broken wires.

**⚠CAUTION:** ALWAYS use guard with wire wheel brushes, assuring diameter of wheel fits inside guard. Wheel can shatter during use and guard helps to reduce chances of personal injury.



▶ 1. Wire wheel brush

Unplug tool and place it upside down allowing easy access to spindle.

Remove any accessories on spindle. Thread wire wheel brush onto spindle and tighten with the wrenches.

**NOTICE:** Avoid applying too much pressure which causes over bending of wires when using wire wheel brush. It may lead to premature breakage.

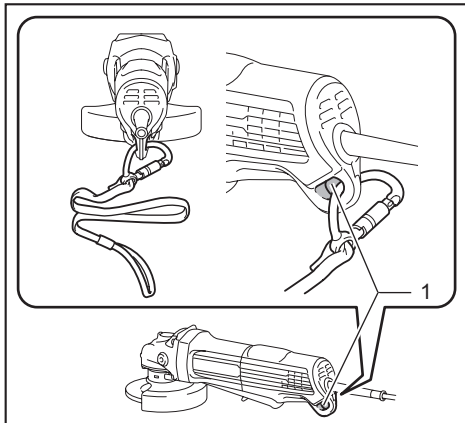
## Lanyard (tether strap) connection

**⚠Safety warnings specific for use at height**  
**Read all safety warnings and instructions.** Failure to follow the warnings and instructions may result in serious injury.

1. **Always keep the tool tethered when working "at height".** Maximum lanyard length is 2 m (6.5 ft).  
The maximum permissible fall height for lanyard (tether strap) must not exceed 2 m (6.5 ft).
2. **Use only with lanyards appropriate for this tool type and rated for at least 4.0 kg (8.8 lbs).**
3. **Do not anchor the tool lanyard to anything on your body or on movable components. Anchor the tool lanyard to a rigid structure that can withstand the forces of a dropped tool.**
4. **Make sure the lanyard is properly secured at each end prior to use.**



5. **Inspect the tool and lanyard before each use for damage and proper function (including fabric and stitching). Do not use if damaged or not functioning properly. The tool must be repaired especially when a crack or a red line appears around the hole for the lanyard.**
6. **Do not wrap lanyards around or allow them to come in contact with sharp or rough edges.**
7. **Fasten the other end of the lanyard outside the working area so that a falling tool is held securely.**
8. **Attach the lanyard so that the tool will move away from the operator if it falls.** Dropped tools will swing on the lanyard, which could cause injury or loss of balance.
9. **Do not use near moving parts or running machinery.** Failure to do so may result in a crush or entanglement hazard.
10. **Do not carry the tool by the attachment device or the lanyard.**
11. **Only transfer the tool between your hands while you are properly balanced.**
12. **Do not attach lanyards to the tool in a way that keeps guards, switches or lock-offs from operating properly.**
13. **Avoid getting tangled in the lanyard.**
14. **Keep lanyard away from the cutting area of the tool.**
15. **Use a locking carabiner (multi-action and screw gate type). Do not use single action spring clip carabiners.**
16. **In the event the tool is dropped, it must be tagged and removed from service, and should be inspected by a Makita Factory or Authorized Service Center.**
17. **Only attach the lanyard with a locking carabiner. Do not attach the lanyard by looping or knotting the lanyard. Do not use ropes or cords.**



► 1. Hole for lanyard (tether strap)

## MAINTENANCE

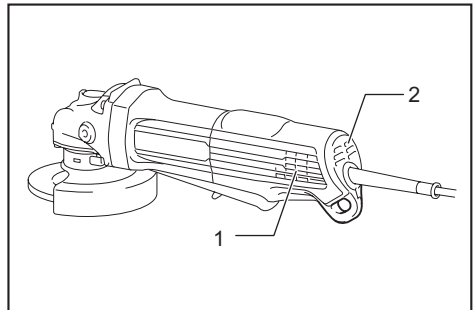
**CAUTION:** Always be sure that the tool is switched off and unplugged before attempting to perform inspection or maintenance.

**NOTICE:** Never use gasoline, benzene, thinner, alcohol or the like. Discoloration, deformation or cracks may result.

To maintain product SAFETY and RELIABILITY, repairs, any other maintenance or adjustment should be performed by Makita Authorized or Factory Service Centers, always using Makita replacement parts.

### Air vent cleaning

The tool and its air vents have to be kept clean. Regularly clean the tool's air vents or whenever the vents start to become obstructed.

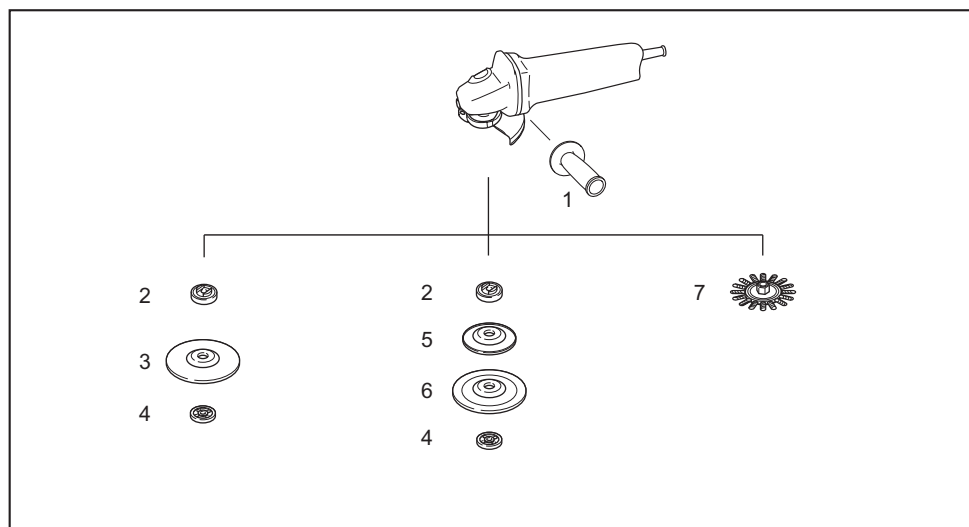


► 1. Exhaust vent 2. Inhalation vent

# OPTIONAL ACCESSORIES

**CAUTION:** These accessories or attachments are recommended for use with your Makita tool specified in this manual. The use of any other accessories or attachments might present a risk of injury to persons. Only use accessory or attachment for its stated purpose.

If you need any assistance for more details regarding these accessories, ask your local Makita Service Center.



	115 mm (4-1/2") model	125 mm (5") model
1		Side grip
2		Inner flange
3		Depressed center wheel / Flap disc
4		Lock nut
5		Back up pad
6		Flex wheel
7		Wire wheel brush
-		Lock nut wrench
-		Dust cover attachment

**NOTE:** Some items in the list may be included in the tool package as standard accessories. They may differ from country to country.

## MAKITA LIMITED WARRANTY

Please refer to the annexed warranty sheet for the most current warranty terms applicable to this product. If annexed warranty sheet is not available, refer to the warranty details set forth at below website for your respective country.

United States of America: [www.makitatools.com](http://www.makitatools.com)

Canada: [www.makita.ca](http://www.makita.ca)

Other countries: [www.makita.com](http://www.makita.com)

# SPÉCIFICATIONS

Modèle :	GA4553R	GA5053R
Diamètre de la meule	115 mm (4-1/2")	125 mm (5")
Épaisseur de meule max.	7,2 mm (9/32")	
Filetage de l'arbre	5/8"	
Vitesse nominale (n)	11 000 /min	
Longueur totale	325 mm (12-3/4")	
Poids net	2,5 - 2,7 kg (5,5 - 6,0 lbs)	
Classe de sécurité	□/II	

- Étant donné l'évolution constante de notre programme de recherche et de développement, les spécifications contenues dans ce manuel sont sujettes à modification sans préavis.
- Les spécifications peuvent varier suivant les pays.
- Le poids peut varier suivant les accessoires. La plus légère et la plus lourde des combinaisons, selon la procédure EPTA 01/2014, sont indiquées dans le tableau.

## Alimentation

L'outil ne doit être branché que sur une source d'alimentation de la même tension que celle indiquée sur la plaque signalétique, et il ne peut être utilisé qu'avec un courant alternatif monophasé. Dotés d'une double isolation, ils peuvent aussi être utilisés sur des prises sans fil de mise à la terre.

# CONSIGNES DE SÉCURITÉ

## Consignes de sécurité générales pour outils électriques

**⚠ MISE EN GARDE :** Veuillez lire toutes les mises en garde, instructions, illustrations et spécifications qui accompagnent cet outil électrique. Ne pas suivre toutes les instructions de la liste ci-dessous peut entraîner une décharge électrique, un incendie et/ou une grave blessure.

## Conservez toutes les mises en garde et instructions pour référence future.

Le terme « outil électrique » qui figure dans les avertissements fait référence à un outil électrique branché sur une prise de courant (par un cordon d'alimentation) ou alimenté par batterie (sans fil).

### Sécurité de la zone de travail

1. **Maintenez la zone de travail propre et bien éclairée.** Les zones de travail encombrées ou sombres ouvrent toute grande la porte aux accidents.
2. **N'utilisez pas les outils électriques dans les atmosphères explosives, telles que celles où sont présents des liquides, gaz ou poussières inflammables.** Les outils électriques génèrent des étincelles qui peuvent allumer les poussières ou les vapeurs.

3. **Gardez les enfants et personnes présentes à l'écart pendant l'utilisation d'un outil électrique.** Toute distraction peut vous faire perdre la maîtrise de l'outil.

### Sécurité en matière d'électricité

1. **Les fiches d'outil électrique doivent correspondre à la prise de courant. Ne modifiez jamais la fiche, de quelque façon que ce soit. N'utilisez aucune fiche d'adaptation avec les outils électriques mis à la terre (à la masse).** Les fiches non modifiées et les prises de courant correspondantes réduisent le risque de décharge électrique.
2. **Évitez tout contact avec les surfaces mises à la terre ou à la masse, telles que celles des tuyaux, radiateurs, cuisinières et réfrigérateurs.** Le risque de décharge électrique augmente si votre corps est mis à la terre ou à la masse.
3. **N'exposez pas les outils électriques à la pluie ou à des surfaces mouillées.** La pénétration d'eau dans un outil électrique augmente le risque de décharge électrique.
4. **Ne maltraitez pas le cordon. N'utilisez jamais le cordon pour transporter, tirer sur ou débrancher l'outil électrique. Gardez le cordon à l'écart de la chaleur, de l'huile, des bords tranchants ou des pièces en mouvement.** Les cordons endommagés ou enchevêtrés augmentent le risque de décharge électrique.
5. **Lorsque vous utilisez un outil électrique à l'extérieur, faites-le avec un cordon prolongateur conçu pour l'usage extérieur.** Utiliser un cordon conçu pour l'usage extérieur réduit le risque de décharge électrique.
6. **Si l'utilisation d'un outil électrique dans un emplacement humide est inévitable, utilisez une source d'alimentation protégée par un disjoncteur différentiel de fuite à la terre (DDFT).** Utiliser un DDFT réduit le risque de décharge électrique.

7. **Les outils électriques peuvent produire des champs électromagnétiques (CEM) qui ne sont pas préjudiciables à l'utilisateur.** Les utilisateurs de stimulateur cardiaque ou autres appareils médicaux similaires doivent toutefois demander conseil au fabricant et/ou à leur médecin avant d'utiliser cet outil électrique.
8. **Ne touchez pas la fiche d'alimentation avec les mains mouillées.**
9. **Si le cordon est endommagé, faites-le remplacer par le fabricant ou son représentant, pour éviter les risques d'accident.**
9. **Portez toujours des lunettes à coques de protection pour protéger vos yeux contre les blessures lors de l'utilisation d'outils électriques. Les lunettes à coques doivent être conformes à ANSI Z87.1 aux États-Unis.**  
L'employeur a la responsabilité d'imposer l'utilisation d'équipements de protection de sécurité adéquats aux utilisateurs des outils électriques et à toute autre personne se trouvant dans la zone de travail immédiate.

#### Sécurité personnelle

1. **Restez vigilant, attentif à vos gestes et faites preuve de bon sens pendant l'utilisation d'un outil électrique. N'utilisez pas un outil électrique lorsque vous êtes fatigué ou sous l'influence d'une drogue, de l'alcool ou d'un médicament.** Tout moment d'inattention pendant l'utilisation des outils électriques peut entraîner une grave blessure.
2. **Utilisez l'équipement de protection individuel. Portez toujours un protecteur pour la vue.** Utilisé dans les conditions adéquates, l'équipement de protection - masque antipoussière, chaussures de sécurité antidérapantes, casque de protection ou protecteur auditif - réduit le risque de blessures.
3. **Évitez le démarrage accidentel. Assurez-vous que l'interrupteur est sur la position d'arrêt avant de connecter la source d'alimentation et/ou la batterie, de saisir l'outil ou de le transporter.** Transporter les outils électriques avec le doigt sur l'interrupteur, ou les connecter à une source d'alimentation alors que l'interrupteur est en position de marche ouvre toute grande la porte aux accidents.
4. **Retirez toute clé de serrage ou de réglage avant de mettre l'outil électrique en marche.** Une clé laissée en place sur une pièce rotative de l'outil électrique peut entraîner une blessure.
5. **Ne vous étirez pas trop. Assurez-vous d'une bonne prise au sol et d'une bonne position d'équilibre en tout temps.** Cela procure une meilleure maîtrise de l'outil électrique dans les situations imprévues.
6. **Portez des vêtements adéquats. Ne portez ni vêtements amples ni bijoux. Gardez vos cheveux, vêtements et gants à l'écart des pièces en mouvement.** Les vêtements amples, bijoux ou cheveux longs peuvent être happés par les pièces en mouvement.
7. **Si des accessoires sont fournis pour raccorder un appareil d'aspiration et de collecte des poussières, assurez-vous qu'ils sont correctement raccordés et qu'ils sont utilisés de manière adéquate.** L'utilisation d'un appareil de collecte des poussières permet de réduire les risques liés à la présence de poussières dans l'air.
8. **Ne vous laissez pas abuser, au point d'être sûr de vous et d'ignorer les principes de sécurité, par un sentiment de familiarité acquis par l'utilisation fréquente des outils électriques.** Un geste irréfléchi peut entraîner une grave blessure en une fraction de seconde.
1. **Ne forcez pas l'outil électrique. Utilisez l'outil électrique qui convient à votre application.** Si vous utilisez l'outil électrique adéquat et respectez le régime pour lequel il a été conçu, il effectuera un travail de meilleure qualité et plus sécuritaire.
2. **N'utilisez pas l'outil électrique s'il n'est pas possible de l'allumer et de l'éteindre avec son interrupteur.** Tout outil électrique dont l'interrupteur est défectueux représente un danger et doit être réparé.
3. **Débranchez la fiche de la source d'alimentation et/ou retirez la BATTERIE de l'outil électrique, si elle est amovible, avant d'effectuer tout réglage, de remplacer les accessoires ou de ranger les outils électriques.** De telles mesures de sécurité préventives réduisent le risque de démarrage accidentel de l'outil électrique.
4. **Mettez les outils électriques sous tension hors de la portée des enfants et ne laissez aucune personne les utiliser si elle n'est pas familiarisée avec l'outil électrique ou avec les présentes instructions d'utilisation.** Les outils électriques représentent un danger entre les mains de personnes qui n'en connaissent pas le mode d'utilisation.
5. **Veillez à l'entretien des outils électriques et des accessoires. Assurez-vous que les pièces mobiles ne sont pas désalignées ou coincées, qu'aucune pièce n'est cassée et que l'outil électrique n'a subi aucun dommage affectant son bon fonctionnement. Si un outil électrique est endommagé, faites-le réparer avant de l'utiliser.** De nombreux accidents sont causés par des outils électriques mal entretenus.
6. **Maintenez les outils tranchants bien aiguisés et propres.** Les outils tranchants dont l'entretien est effectué correctement et dont les bords sont bien aiguisés risquent moins de se coincer et sont plus faciles à maîtriser.
7. **Utilisez l'outil électrique, ses accessoires, ses embouts, etc., en respectant les présentes instructions et en tenant compte des conditions de travail et du type de travail à effectuer.** L'utilisation d'un outil électrique pour d'autres usages que ceux prévus peut entraîner une situation dangereuse.
8. **Gardez les poignées et surfaces de saisie sèches, propres et exemptes d'huile et de graisse.** Les poignées et surfaces de saisie glissantes ne permettent pas la manipulation sécuritaire et une bonne maîtrise de l'outil dans les situations imprévues.

9. **Lors de l'utilisation de l'outil, ne portez pas de gants de travail en tissu qui risquent de s'enchevêtrer dans l'outil.** L'enchevêtrement de gants de travail en tissu dans les pièces en mouvement peut entraîner une blessure.

### Réparation

1. **Faites réparer votre outil électrique par un réparateur qualifié qui utilise des pièces de rechange identiques aux pièces d'origine.** Le maintien de la sûreté de l'outil électrique sera ainsi assuré.
2. **Suivez les instructions de lubrification et de remplacement des accessoires.**

Pour réduire le risque de décharge électrique, cet équipement est doté d'une fiche polarisée (une des lames est plus large que l'autre). Cette fiche ne s'insère que dans un seul sens dans une prise de courant polarisée. Si la fiche ne pénètre pas à fond dans la prise de courant, insérez-la dans l'autre sens. Si elle ne s'insère toujours pas à fond, contactez un électricien qualifié pour faire installer une prise de courant adéquate. Ne modifiez la fiche d'aucune façon.

**Tableau 1 : Calibre minimum du cordon**

Intensité nominale		Volts	Longueur totale du cordon en pieds			
		120 V	25 ft.	50 ft.	100 ft.	150 ft.
		220 V - 240 V	50 ft.	100 ft.	200 ft.	300 ft.
Plus de	Pas plus de	Calibre américain des fils				
0 A	6 A	-	18	16	16	14
6 A	10 A		18	16	14	12
10 A	12 A		16	16	14	12
12 A	16 A		14	12	Non recommandé	

## Consignes de sécurité pour meuleuse

### Consignes de sécurité communes aux travaux de meulage et de brosse métallique :

1. **Cet outil électrique est conçu pour fonctionner en tant que meuleuse ou brosse métallique. Lisez toutes les mises en garde, instructions, illustrations et spécifications qui accompagnent cet outil électrique.** Il y a risque de décharge électrique, d'incendie et/ou de blessure grave si toutes les instructions ci-dessous ne sont pas respectées.
2. **L'utilisation de cet outil électrique n'est pas recommandée pour les travaux tels que le polissage, le ponçage et le tronçonnage.** Les travaux pour lequel l'outil électrique n'a pas été conçu peuvent engendrer un danger et causer des blessures.
3. **N'utilisez pas d'accessoires non conçus spécifiquement pour l'outil et non recommandés par le fabricant de l'outil.** Même si un accessoire peut être fixé à votre outil électrique, cela ne garantit pas son fonctionnement sécuritaire.
4. **La vitesse nominale de l'accessoire doit être au moins égale à la vitesse maximale inscrite sur l'outil électrique.** En tournant plus vite que leur vitesse nominale, les accessoires peuvent casser et voler en éclats.

**MISE EN GARDE SUR LA TENSION :** Avant de brancher l'outil sur une source d'alimentation (prise murale, prise de courant, etc.), assurez-vous que la tension fournie est la même que celle spécifiée sur la plaque signalétique de l'outil. Une source d'alimentation dont la tension est supérieure à celle spécifiée pour l'outil peut entraîner une GRAVE BLESSURE pour l'utilisateur, ainsi qu'endommager l'outil. En cas de doute, NE BRANCHEZ PAS L'OUTIL. L'utilisation d'une source d'alimentation dont la tension est inférieure à celle indiquée sur la plaque signalétique endommagera le moteur.

**UTILISEZ UN CORDON PROLONGATEUR APPROPRIÉ.** Assurez-vous que votre cordon prolongateur est en bonne condition. Lorsque vous utilisez un cordon prolongateur, assurez-vous qu'il est assez robuste pour transporter le courant exigé par le produit. Un cordon trop petit entraînera une baisse dans la tension composée, ce qui causera une perte d'énergie et une surchauffe. Le tableau 1 indique la dimension de cordon à utiliser, en fonction de la longueur du cordon et de l'intensité nominale figurant sur la plaque signalétique. En cas de doute, utilisez un calibre plus robuste. Plus le numéro de calibre est bas, plus le cordon est robuste.

5. **Le diamètre extérieur et l'épaisseur de votre accessoire ne doivent pas dépasser la capacité nominale de votre outil électrique.** Il est impossible de protéger ou de contrôler adéquatement les accessoires d'une dimension inappropriée.
6. **Le montage fileté des accessoires doit correspondre au filetage de l'arbre de la meuleuse. Pour les accessoires montés à l'aide de flasques, le diamètre intérieur de l'accessoire doit correspondre au diamètre de positionnement du flasque.** Les accessoires non adaptés aux pièces de montage de l'outil électrique se déséquilibreront, vibreront excessivement et risqueront d'entraîner une perte de contrôle.
7. **N'utilisez pas un accessoire endommagé. Avant chaque utilisation, inspectez les accessoires tels que la brosse métallique pour vérifier l'absence de fils lâches ou fissurés. Si vous échappez l'outil électrique ou un accessoire, assurez-vous de l'absence de dommages ou installez un accessoire non endommagé. Après avoir vérifié et installé un accessoire, assurez-vous que personne, y compris vous-même, ne se trouve dans la trajectoire de l'accessoire en rotation, et faites tourner l'outil électrique à vide et à vitesse maximale pendant une minute.** Si l'accessoire est endommagé, il devrait normalement se casser pendant cet essai.

8. **Portez des dispositifs de sécurité personnelle. Suivant le type d'utilisation, portez un écran facial, des lunettes à coques ou des lunettes de sécurité. Au besoin, portez un masque antipoussières, des protections d'oreilles, des gants et un tablier de travail assez épais pour arrêter les petits fragments abrasifs ou les fragments de pièce.** La protection oculaire utilisée doit pouvoir protéger contre les débris projetés lors des divers travaux. Le masque anti-poussières ou le respirateur doit pouvoir filtrer les particules générées par votre travail. L'exposition trop longue à un bruit très intense peut entraîner des lésions de l'ouïe.
9. **Tenez toutes les personnes présentes à une distance sécuritaire de votre zone de travail. Toute personne pénétrant dans votre zone de travail doit porter des dispositifs de protection personnelle.** Des fragments de pièce ou d'un accessoire cassé peuvent s'envoler et blesser quelqu'un même au-delà de la zone de travail immédiate.
10. **Tenez l'outil électrique uniquement par ses surfaces de prise isolées pendant tout travail où l'accessoire de coupe pourrait venir en contact avec un câblage dissimulé ou avec son propre cordon.** En cas de contact de l'accessoire de coupe avec un conducteur sous tension, les pièces métalliques à découvert de l'outil électrique risqueraient de transmettre une décharge électrique à l'utilisateur.
11. **Positionnez le cordon loin de l'accessoire en rotation.** Si vous perdez la maîtrise de l'outil, le cordon risque d'être coupé ou accroché, et votre main ou bras risque d'être entraîné vers l'accessoire en rotation.
12. **Ne reposez jamais l'outil électrique tant que l'accessoire ne s'est pas complètement immobilisé.** L'accessoire en rotation risquerait d'accrocher la surface et d'entraîner la perte de maîtrise de l'outil électrique.
13. **Ne faites pas fonctionner l'outil électrique lorsque vous le transportez.** Un contact accidentel avec l'accessoire en rotation pourrait accrocher vos vêtements et entraîner l'accessoire vers votre corps.
14. **Nettoyez régulièrement les orifices d'aération de l'outil électrique.** Le ventilateur du moteur aspire les poussières à l'intérieur du boîtier, et l'accumulation excessive de métal en poudre peut entraîner un risque électrique.
15. **N'utilisez pas l'outil électrique près de matériaux inflammables.** Les étincelles risqueraient de faire prendre en feu ces matériaux.
16. **N'utilisez pas d'accessoires qui requièrent un liquide de refroidissement.** L'utilisation d'eau ou autre liquide de refroidissement peut entraîner une électrocution ou une décharge électrique.

#### **Recul et mises en gardes connexes**

Le recul est une réaction brusque qui se produit lorsqu'une meule en rotation, un tampon d'appoint, une brosse ou autre accessoire se coince ou accroche. Le coincement ou l'accrochage entraîne l'arrêt rapide de l'accessoire en rotation, ce qui en retour propulse l'outil électrique hors de contrôle dans le sens opposé à la rotation de l'accessoire au point de grippage.

Par exemple, si une meule abrasive accroche dans la pièce ou s'y coince, le bord de la meule, au point où elle se coince, plongera dans le matériau, faisant du même coup remonter ou reculer la meule hors de la pièce. La meule peut alors bondir vers l'utilisateur ou dans le sens opposé, selon la direction du mouvement de la meule au point de coïncage. Les meules abrasives peuvent également se casser dans ces conditions. Le recul est le résultat d'une mauvaise utilisation de l'outil électrique et/ou de mauvaises méthodes ou conditions d'utilisation ; on peut l'éviter en prenant les précautions adéquates indiquées ci-dessous.

1. **Maintenez une prise ferme sur l'outil électrique, et placez votre corps et votre bras de manière à pouvoir résister aux forces de recul. Utilisez toujours la poignée auxiliaire, le cas échéant, pour contrôler au maximum le recul ou la réaction de couple durant le démarrage.** Si les précautions adéquates sont prises, l'utilisateur peut contrôler les réactions de couple ou les forces de recul.
2. **Ne mettez jamais votre main près de l'accessoire en rotation.** L'accessoire pourrait reculer sur votre main.
3. **Ne placez pas votre corps dans la zone où l'outil électrique se déplacera en cas de recul.** Le recul propulsera l'outil dans le sens opposé au mouvement de la meule au point d'accrochage.
4. **Soyez tout particulièrement prudent lorsque vous travaillez dans les coins, sur les rebords aigus, etc. Évitez de faire bondir ou accrocher l'accessoire.** Les coins, les rebords aigus ou les rebondissements ont tendance à provoquer un accrochage de l'accessoire en rotation et à causer une perte de contrôle ou un recul.
5. **Ne fixez pas de chaîne de scie, de lame de sculpture ou de lame de scie dentée.** De telles lames créent fréquemment un recul et une perte de contrôle.

#### **Consignes de sécurité spécifiques aux travaux de meulage :**

1. **Utilisez uniquement des meules du type recommandé pour votre outil électrique, et les protecteurs spécifiquement conçus pour la meule sélectionnée.** Les meules pour lesquelles l'outil électrique n'a pas été conçu ne peuvent être adéquatement protégées et sont dangereuses.
2. **La surface de meulage des meules à moyeu déporté doit être montée sous le plan de la lèvre du protecteur.** Une meule mal montée qui dépasse le plan de la lèvre ne peut être adéquatement protégée.
3. **Le protecteur doit être solidement fixé à l'outil électrique et positionné pour un maximum de sécurité, afin qu'un minimum de meule soit exposé vers l'utilisateur.** Le protecteur aide à protéger l'utilisateur des fragments cassés de meule, d'un contact accidentel avec la meule et des étincelles qui peuvent mettre feu aux vêtements.
4. **Les meules ne doivent être utilisées que pour les applications recommandées.**
5. **Utilisez toujours des flasques de meule en parfait état et dont la taille et la forme correspondent à la meule sélectionnée.** Les flasques de meule adéquats, en soutenant la meule, réduisent les risques de rupture de la meule.

6. **N'utilisez pas les meules usées d'outils électriques plus gros.** Une meule conçue pour un outil électrique plus gros n'est pas adéquate pour la vitesse plus élevée d'un outil plus petit, et elle peut voler en éclats.
  13. **Avec les outils conçus pour la pose d'une meule à trou fileté, assurez-vous que le filetage de la meule est assez long par rapport à la longueur de l'arbre.**
- Consignes de sécurité spécifiques au brossage métallique :**
1. **Soyez conscient du fait que des poils de fils métalliques sont éjectés par la brosse pendant l'utilisation ordinaire. Ne malmenez pas les fils métalliques en appliquant une charge excessive à la brosse.** Les poils de fils métalliques pénètrent facilement dans les vêtements légers et/ou dans la peau.
  2. **Si l'utilisation d'un protecteur est recommandée pour le brossage métallique, veillez à ce qu'il n'y ait aucune interférence entre la brosse circulaire ou la brosse métallique et le protecteur.** Le diamètre de la brosse circulaire ou de la brosse métallique peut augmenter sous l'effet de la charge de travail et des forces centrifuges.
  14. **Assurez-vous que la pièce est adéquatement soutenue.**
  15. **Gardez à l'esprit que la meule continue de tourner après la mise hors tension de l'outil.**
  16. **Si le lieu de travail est extrêmement chaud et humide, ou très pollué par des poussières conductrices, utilisez un coupe-circuit (30 mA) pour assurer la sécurité de l'utilisateur.**
  17. **N'utilisez l'outil sur aucun matériau contenant de l'amiante.**
  18. **N'utilisez pas de gants de travail en tissu pendant l'utilisation.** Les fibres des gants en tissu peuvent pénétrer dans l'outil et l'endommager.

## CONSERVEZ CE MODE D'EMPLOI.


**⚠ MISE EN GARDE : NE VOUS LAISSEZ PAS tromper (au fil d'une utilisation répétée) par un sentiment d'aisance ou de familiarité avec le produit en négligeant les consignes de sécurité qui accompagnent le produit. L'UTILISATION INCORRECTE ou l'ignorance des consignes de sécurité du présent manuel d'instructions comporte un risque de blessure grave.**

### Consignes de sécurité additionnelles :

1. **Lors de l'utilisation des meules à moyen déporté, assurez-vous d'utiliser exclusivement des meules renforcées de fibre de verre.**
2. **N'UTILISEZ JAMAIS de meule évasée en pierre avec cette meuleuse.** Cette meuleuse n'est pas conçue pour ce type de meules, et l'utilisation d'un tel produit pourrait provoquer des blessures graves.
3. **Prenez garde d'endommager l'arbre, le flasque (tout particulièrement sa surface de pose) ou le contre-écrou.** La meule risque de casser si ces pièces sont endommagées.
4. **Assurez-vous que la meule n'entre pas en contact avec la pièce avant de mettre l'outil sous tension.**
5. **Avant d'utiliser l'outil sur la pièce elle-même, laissez-le tourner un instant. Soyez attentif à toute vibration ou sautellement pouvant indiquer que la meule n'est pas bien installée ou qu'elle est mal équilibrée.**
6. **Utilisez la face spécifiée de la meule pour meuler.**
7. **N'abandonnez pas l'outil alors qu'il tourne. Ne faites fonctionner l'outil qu'une fois que vous l'avez bien en main.**
8. **Ne touchez pas la pièce immédiatement après l'utilisation ; elle peut être très chaude et brûler votre peau.**
9. **Ne touchez pas les accessoires immédiatement après l'utilisation ; ils peuvent être très chauds et brûler votre peau.**
10. **Respectez les instructions du fabricant pour monter et utiliser les meules correctement. Manipulez et rangez les meules soigneusement.**
11. **N'utilisez pas de raccords de réduction séparés ou d'adaptateurs pour adapter les meules abrasives à grand trou.**
12. **Utilisez exclusivement les flasques spécifiés pour cet outil.**

## Symboles

Les symboles utilisés pour l'outil sont indiqués ci-dessous.

v	volts
A	ampères
Hz	hertz
~	courant alternatif
n	vitesse nominale
	construction, catégorie II
... /min r/min	tours ou alternances par minute
∅	diamètre

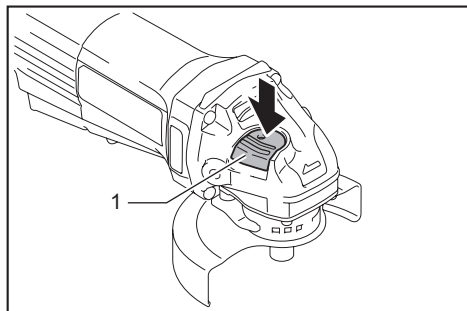


# DESCRIPTION DU FONCTIONNEMENT

**⚠ ATTENTION :** Assurez-vous toujours que l'outil est hors tension et débranché avant de l'ajuster ou de vérifier son fonctionnement.

## Blockage de l'arbre

Appuyez sur le blocage de l'arbre pour empêcher l'arbre de tourner lors de l'installation ou du retrait des accessoires.



► 1. Blocage de l'arbre

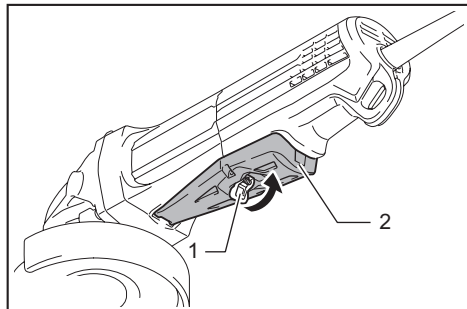
**AVIS :** N'activez jamais le blocage de l'arbre alors que l'arbre bouge. Vous pourriez endommager l'outil.

## Interrupteur

**⚠ ATTENTION :** Avant de brancher l'outil, assurez-vous toujours que la gâchette fonctionne correctement et revient en position d'arrêt une fois relâchée.

**⚠ ATTENTION :** Ne forcez pas le levier d'interrupteur sans avoir enfoncé le bouton de sécurité. Cela pourrait casser l'interrupteur.

Un levier de sécurité est fourni pour prévenir l'activation accidentelle du levier d'interrupteur. Pour démarrer l'outil, tirez le levier de sécurité vers vous, puis tirez sur le levier d'interrupteur. Libérez le levier d'interrupteur pour arrêter.



► 1. Levier de sécurité 2. Levier de l'interrupteur

## Protection contre le redémarrage involontaire

Même s'il est branché, l'outil ne démarrera pas si vous tirez sur le levier d'interrupteur. Pour démarrer l'outil, relâchez d'abord le levier de l'interrupteur. Appuyez ensuite sur le levier de sécurité, puis sur le levier de l'interrupteur.

**NOTE :** Attendez plus d'une seconde avant de redémarrer l'outil lorsque la protection contre le redémarrage involontaire est activée.

## Fonction de démarrage en douceur

La fonction de démarrage en douceur atténue le choc de démarrage.

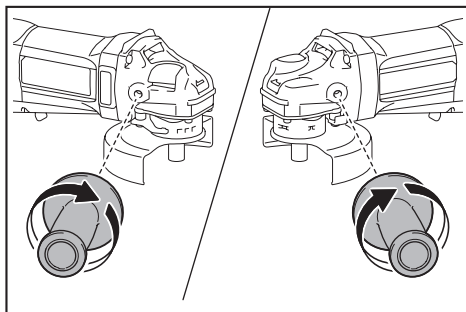
# ASSEMBLAGE

**⚠ ATTENTION :** Avant d'effectuer toute intervention sur l'outil, assurez-vous toujours qu'il est hors tension et débranché.

## Installation de la poignée latérale

**⚠ ATTENTION :** Avant d'utiliser l'outil, assurez-vous toujours que la poignée latérale est installée de façon sûre.

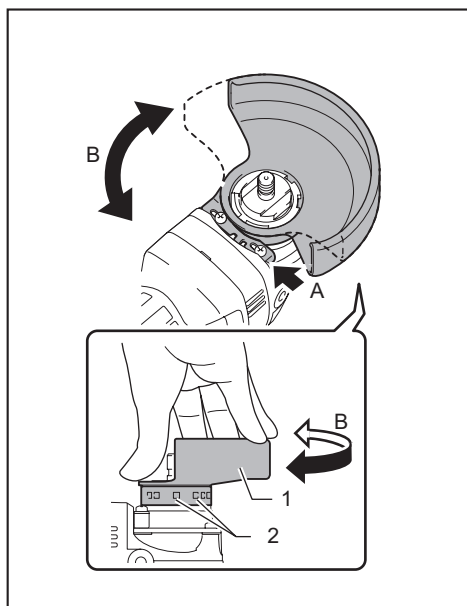
Vissez la poignée latérale à fond sur la position de l'outil comme illustré sur la figure.



## Réglage de l'angle du protecteur de meule

**⚠ MISE EN GARDE :** Assurez-vous que le protecteur de meule est bien verrouillé par le levier de verrouillage avec un des orifices du protecteur de meule.

L'angle du protecteur de meule est réglable. Tout en poussant le levier de verrouillage, tournez le protecteur de meule vers B, puis modifiez l'angle du protecteur de meule selon le travail à effectuer, de manière à être protégé. Alignez le levier de verrouillage sur un des trous du protecteur de meule, puis libérez le levier de verrouillage pour verrouiller le protecteur de meule.



► 1. Protecteur de meule 2. Orifice

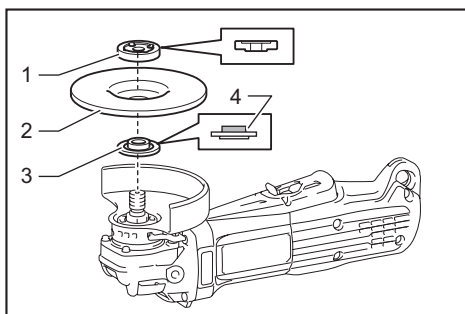
## Pose ou retrait de la meule à moyeu déporté ou du disque à lamelles

### Accessoire en option

**MISE EN GARDE** : Si vous utilisez une meule à moyeu déporté ou un disque à lamelles, le protecteur de meule doit être placé sur l'outil de sorte que la partie de la meule recouverte par le protecteur soit toujours du côté de l'utilisateur.

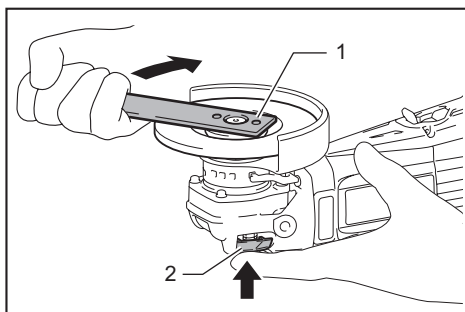
**ATTENTION** : Assurez-vous que la pièce de montage du flasque intérieur est parfaitement adaptée au diamètre intérieur de la meule à moyeu déporté ou du disque à lamelles. Monter le flasque intérieur du mauvais côté peut entraîner de dangereuses vibrations.

Montez le flasque intérieur sur l'arbre. Assurez-vous de placer la partie dentelée du flasque intérieure dans la partie rectiligne au bas de l'arbre. Placez la meule à moyeu déporté ou le disque à lamelles sur le flasque intérieur, et vissez le contre-écrou sur l'arbre.



► 1. Contre-écrou 2. Meule à moyeu déporté 3. Flasque intérieur 4. Pièce de montage

Pour serrer le contre-écrou, appuyez fermement sur le blocage de l'arbre pour empêcher l'arbre de tourner, puis utilisez la clé à contre-écrou en serrant fermement dans le sens des aiguilles d'une montre.



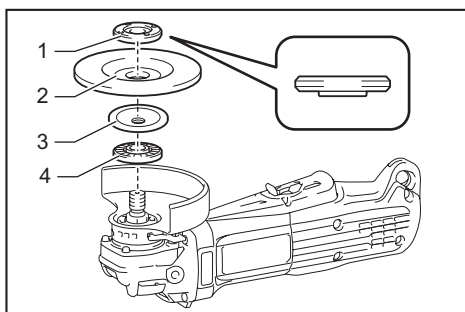
► 1. Clé à contre-écrou 2. Blocage de l'arbre

Pour retirer la meule, suivez la procédure d'installation en sens inverse.

## Pose ou retrait de la meule flexible

### Accessoire en option

**MISE EN GARDE** : Utilisez toujours le protecteur fourni quand la meule flexible est montée sur l'outil. La meule peut voler en éclats en cours d'utilisation et le protecteur réduit alors les risques de blessure.



► 1. Contre-écrou 2. Meule flexible 3. Tampon d'ap-  
point 4. Flasque intérieur

Suivez les instructions données pour la meule à moyeu déporté, mais en plaçant également un tampon d'ap-point sur la meule. Pour l'ordre d'assemblage, référez-vous à la page des accessoires du présent manuel.

## UTILISATION

**⚠ MISE EN GARDE** : Il n'est jamais nécessaire de forcer l'outil. Le poids de l'outil lui-même suffit à assurer une pression adéquate. Le fait de forcer l'outil ou d'appliquer une pression excessive comporte un risque dangereux de casser la meule.

**⚠ MISE EN GARDE** : Remplacez TOUJOURS la meule lorsque vous échappez l'outil pendant le meulage.

**⚠ MISE EN GARDE** : Ne frappez JAMAIS le disque de meulage ou la meule contre la pièce à travailler.

**⚠ MISE EN GARDE** : Évitez de laisser la meule sautiller ou accrocher, tout spécialement lorsque vous travaillez dans les coins, sur les bords tranchants, etc. Cela peut causer une perte de contrôle et un recul.

**⚠ MISE EN GARDE** : N'utilisez JAMAIS cet outil avec des lames à bois et autres lames de scie. Les lames de ce type sautent fréquemment lorsqu'elles sont utilisées sur une meuleuse et risquent d'entraîner une perte de contrôle pouvant causer des blessures.

**⚠ MISE EN GARDE** : Continuer l'utilisation d'une meule usée peut causer l'éclatement de la meule et une grave blessure.

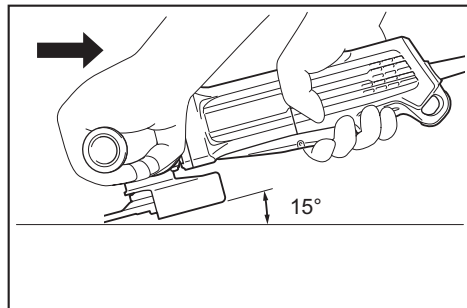
**⚠ ATTENTION** : Ne mettez jamais l'outil en marche alors qu'il se trouve en contact avec la pièce à travailler, pour éviter de vous blesser.

**⚠ ATTENTION** : Portez toujours des lunettes de sécurité ou un écran facial pendant l'utilisation.

**⚠ ATTENTION** : Après l'utilisation, mettez toujours l'outil hors tension et attendez l'arrêt complet de la meule avant de déposer l'outil.

**⚠ ATTENTION** : Tenez TOUJOURS l'outil fermement en posant une main sur le boîtier et l'autre main sur la poignée latérale.

## Utilisation avec meule/disque



Mettez l'outil en marche puis posez la meule ou le disque sur la pièce à travailler. En général, vous devez maintenir le bord de la meule ou du disque sur un angle d'environ 15° par rapport à la surface de la pièce à travailler. Pendant la période de rodage d'une meule neuve, ne faites pas progresser la meuleuse vers l'avant, sinon elle risque de couper la pièce à travailler. Une fois le bord de la meule rodée, la meule peut être utilisée dans les sens avant et arrière.

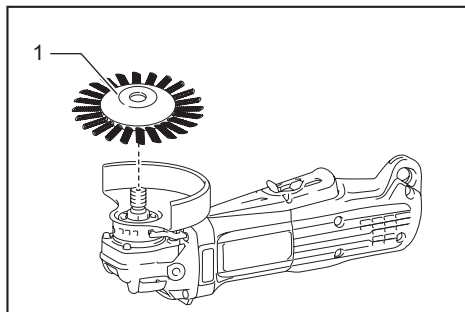
## Travaux avec une brosse métallique circulaire

### Accessoire en option

**⚠ ATTENTION** : Vérifiez le fonctionnement de la brosse métallique circulaire en faisant fonctionner l'outil sans charge, en vous assurant que personne ne se trouve devant la brosse métallique circulaire ou sur sa trajectoire.

**⚠ ATTENTION** : N'utilisez pas la brosse métallique circulaire si elle est endommagée ou déséquilibrée. L'utilisation d'une brosse métallique circulaire endommagée augmente les risques de blessure au contact des fils cassés.

**⚠ ATTENTION** : Avec les brosses métalliques circulaires, utilisez TOUJOURS le protecteur, en vous assurant que le diamètre de la brosse n'est pas trop grand pour le protecteur. La meule (brosse) peut voler en éclats en cours d'utilisation et le protecteur réduit alors les risques de blessure.



► 1. Brosse métallique circulaire

Débranchez l'outil et placez-le la tête en bas pour permettre un accès facile à l'arbre. Retirez tous les accessoires de l'arbre. Enfilez la brosse métallique circulaire sur l'arbre et serrez avec les clés.

**AVIS** : Évitez d'appliquer trop de pression, car cela fait plier les fils lors de l'utilisation d'une brosse métallique circulaire. Cela peut causer une rupture prématurée.

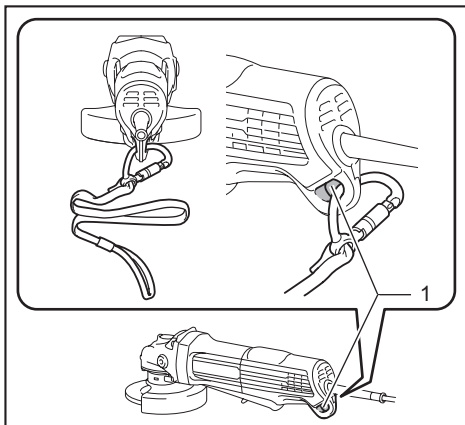
## Raccordement de la corde d'amarrage (sangle d'attache)

**⚠** Consignes de sécurité spécifiques à l'utilisation en hauteur

**Veillez lire toutes les mises en garde et instructions.** L'ignorance des mises en garde et instructions peut entraîner une grave blessure.

1. **Gardez toujours l'outil attaché lorsque vous travaillez « en hauteur ».** La longueur maximale de la corde est de 2 m (6,5 ft). La hauteur de chute maximale admissible pour la corde (sangle d'attache) ne doit pas dépasser 2 m (6,5 pi).
2. **N'utilisez qu'avec des cordes qui conviennent à ce type d'outil et dont la capacité nominale est d'au moins 4,0 kg (8,8 lbs).**
3. **Ne fixez pas la corde de l'outil à quoi que ce soit sur votre corps, ni à des pièces mobiles.** Fixez la corde de l'outil à une structure rigide pouvant résister aux forces exercées par un outil échappé.
4. **Avant l'utilisation, assurez-vous que la corde est bien fixée à chaque extrémité.**
5. **Avant chaque utilisation, inspectez l'outil et la corde pour vérifier l'absence de dommages et le bon fonctionnement (y compris la trame et les coutures de la corde).** Ne les utilisez pas en cas de dommages ou de mauvais fonctionnement. L'outil doit être réparé tout spécialement lorsqu'une fissure ou une ligne rouge apparaît autour de l'orifice pour la corde.
6. **N'enroulez pas la corde autour des bords affûtés ou rugueux, et ne la laissez pas entrer en contact avec ces derniers.**
7. **Attachez l'autre extrémité de la corde à l'extérieur de la zone de travail, de sorte que l'outil soit bien retenu s'il tombe.**
8. **Fixez la corde à l'outil de sorte qu'il s'éloigne de l'utilisateur en tombant.** Si l'outil tombe, il se balancera au bout de la corde, ce qui peut entraîner une blessure ou une perte d'équilibre.
9. **Ne pas utiliser près des pièces en mouvement ou des machines en marche.** Autrement, il y a risque d'écrasement ou d'enchevêtrement.
10. **Ne transportez pas l'outil par son dispositif de fixation ou par la corde.**
11. **Ne faites passer l'outil d'une main à l'autre que lorsque vous êtes dans une bonne position d'équilibre.**
12. **Ne fixez pas la corde à l'outil d'une façon qui empêcherait le bon fonctionnement des protecteurs, commutateurs ou dispositifs de verrouillage.**
13. **Évitez de vous enchevêtrer dans la corde.**
14. **Gardez la corde à l'écart de la zone de coupe de l'outil.**
15. **Utilisez un mousqueton de sécurité (à multi-actions et à vis). N'utilisez pas de mousquetons à action simple à ressort.**
16. **Si l'outil a été échappé, il doit être étiqueté et mis hors service, et doit être inspecté par une usine Makita ou un centre de service après-vente agréé.**

17. **Ne fixez la corde qu'avec un mousqueton de sécurité. Ne fixez pas la corde en faisant une boucle ou un nœud. N'utilisez ni câbles ni cordons.**



► 1. Trou pour corde (sangle d'attache)

## ENTRETIEN

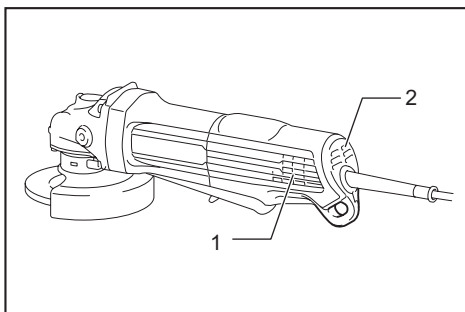
**⚠ ATTENTION :** Assurez-vous toujours que l'outil est hors tension et débranché avant d'y effectuer tout travail d'inspection ou d'entretien.

**AVIS :** N'utilisez jamais d'essence, de benzine, de solvant, d'alcool ou autres produits similaires. Une décoloration, une déformation ou la formation de fissures peuvent en découler.

Pour maintenir la SÉCURITÉ et la FIABILITÉ du produit, les réparations et tout autre travail d'entretien ou de réglage doivent être effectués dans un centre de service après-vente autorisé ou une usine Makita, exclusivement avec des pièces de rechange Makita.

## Nettoyage des orifices d'aération

L'outil et ses orifices d'aération doivent être maintenus propres. Nettoyez régulièrement les orifices d'aération de l'outil, ou chaque fois qu'ils commencent à se boucher.

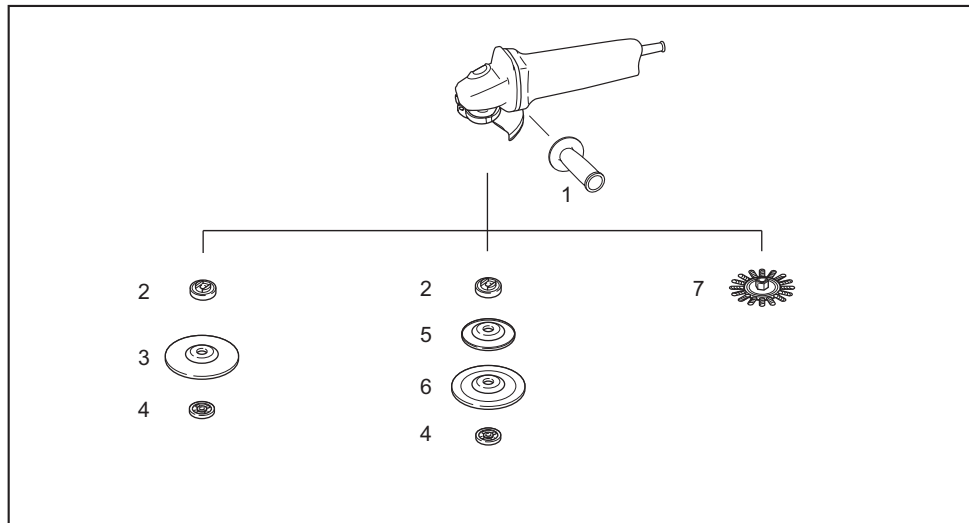


► 1. Orifice d'évacuation 2. Orifice d'entrée d'air

# ACCESSOIRES EN OPTION

**ATTENTION** : Ces accessoires ou pièces complémentaires sont recommandés pour l'utilisation avec l'outil Makita spécifié dans ce manuel. L'utilisation de tout autre accessoire ou pièce complémentaire peut comporter un risque de blessure. N'utilisez les accessoires ou pièces complémentaires qu'aux fins auxquelles ils ont été conçus.

Si vous désirez obtenir plus de détails sur ces accessoires, veuillez contacter le centre de service après-vente Makita le plus près.



-	Modèle 115 mm (4-1/2")	Modèle 125 mm (5")
1	Poignée latérale	
2	Flasque intérieur	
3	Meule à moyeu déporté / Disque à lamelles	
4	Contre-écrou	
5	Tampon d'appoint	
6	Meule flexible	
7	Brosse métallique circulaire	
-	Clé à contre-écrou	
-	Fixation de couvercle à poussières	

**NOTE** : Certains éléments de la liste peuvent être inclus avec l'outil comme accessoires standards. Ils peuvent varier suivant les pays.

## GARANTIE LIMITÉE MAKITA

Pour les conditions de garantie en vigueur qui s'appliquent à ce produit, veuillez vous reporter à la feuille de garantie en annexe. Si la feuille de garantie en annexe n'est pas disponible, reportez-vous aux détails de la garantie présentés sur le site Web de votre pays, ci-dessous.

États-Unis d'Amérique: [www.makitatools.com](http://www.makitatools.com)

Canada: [www.makita.ca](http://www.makita.ca)

Autres pays: [www.makita.com](http://www.makita.com)

## ESPECIFICACIONES

Modelo:	GA4553R	GA5053R
Especificaciones eléctricas en México	120 V ~ 11 A 50/60 Hz	
Diámetro de la rueda	115 mm (4-1/2")	125 mm (5")
Grosor máx. de la rueda	7,2 mm (9/32")	
Rosca del eje	5/8"	
Velocidad especificada (n)	11 000 r/min	
Longitud total	325 mm (12-3/4")	
Peso neto	2,5 kg - 2,7 kg (5,5 lbs - 6,0 lbs)	
Clase de seguridad	□/II	

- Debido a nuestro programa continuo de investigación y desarrollo, las especificaciones aquí dadas están sujetas a cambios sin previo aviso.
- Las especificaciones pueden variar de país a país.
- El peso puede variar en función de los accesorios. En la tabla se muestra la combinación de peso más ligero y más pesado conforme al procedimiento 01/2014 de EPTA.

### Fuente de alimentación

La herramienta solamente deberá ser conectada a una fuente de alimentación del mismo voltaje que el indicado en la placa de características, y únicamente podrá funcionar con un suministro de corriente alterna monofásica. La herramienta cuenta con doble aislamiento y, por lo tanto, puede usarse también en toma-corrientes sin conductor de tierra.

## ADVERTENCIAS DE SEGURIDAD

### Advertencias generales de seguridad para herramientas eléctricas

**⚠️ ADVERTENCIA:** Lea todas las advertencias de seguridad, instrucciones, ilustraciones y especificaciones suministradas con esta herramienta eléctrica. El no seguir todas las instrucciones indicadas a continuación podría ocasionar una descarga eléctrica, incendio y/o lesiones graves.

### Conserve todas las advertencias e instrucciones como referencia en el futuro.

En las advertencias, el término "herramienta eléctrica" se refiere a su herramienta eléctrica de funcionamiento con conexión a la red eléctrica (con cableado eléctrico) o herramienta eléctrica de funcionamiento a batería (inalámbrica).

#### Seguridad en el área de trabajo

1. Mantenga el área de trabajo limpia y bien iluminada. Las áreas oscuras o desordenadas son propensas a accidentes.

2. No utilice las herramientas eléctricas en atmósferas explosivas, tal como en la presencia de líquidos, gases o polvo inflamables. Las herramientas eléctricas crean chispas que pueden prender fuego al polvo o los humos.
3. Mantenga a los niños y espectadores alejados mientras utiliza una herramienta eléctrica. Las distracciones le pueden hacer perder el control.

#### Seguridad eléctrica

1. Las clavijas de las herramientas eléctricas deben encajar perfectamente en la toma de corriente. Nunca modifique la clavija en ninguna forma. No utilice ninguna clavija adaptadora con herramientas eléctricas que tengan conexión a tierra (puesta a tierra). El uso de clavijas no modificadas y que encajen perfectamente en la toma de corriente reducirá el riesgo de que se produzca una descarga eléctrica.
2. Evite el contacto del cuerpo con superficies conectadas a tierra o puestas a tierra tales como tubos, radiadores, cocinas y refrigeradores. Si su cuerpo es puesto a tierra o conectado a tierra existirá un mayor riesgo de que sufra una descarga eléctrica.
3. No exponga las herramientas eléctricas a la lluvia ni a condiciones de humedad. La entrada de agua en una herramienta eléctrica aumentará el riesgo de que se produzca una descarga eléctrica.
4. No maltrate el cable. Nunca utilice el cable para transportar, jalar o desconectar la herramienta eléctrica. Mantenga el cable alejado del calor, el aceite, los bordes filosos o las piezas móviles. Los cables dañados o enredados aumentan el riesgo de que se produzca una descarga eléctrica.
5. Cuando use una herramienta eléctrica en exteriores, utilice un cable de extensión apropiado para uso en exteriores. El uso de un cable apropiado para uso en exteriores reducirá el riesgo de que se produzca una descarga eléctrica.

6. **Si no es posible evitar usar una herramienta eléctrica en condiciones de humedad, utilice un suministro protegido con dispositivo de corriente residual (DCR).** El uso de un DCR reduce el riesgo de una descarga eléctrica.
7. **Las herramientas eléctricas pueden producir campos electromagnéticos (CEM) que no son dañinos para el usuario.** Sin embargo, si los usuarios tienen marcapasos y otros dispositivos médicos similares, deberán consultar al fabricante de su dispositivo y/o a su médico antes de operar esta herramienta eléctrica.
8. **No toque la clavija de conexión con las manos húmedas.**
9. **Si el cable está dañado, solicite al fabricante o a su representante que lo reemplace para evitar un riesgo relacionado con la seguridad.**

### Seguridad personal

1. **Manténgase alerta, preste atención a lo que está haciendo y utilice su sentido común cuando opere una herramienta eléctrica. No utilice la herramienta eléctrica cuando esté cansado o bajo la influencia de drogas, alcohol o medicamentos.** Un momento de distracción mientras opera las herramientas eléctricas podría ocasionar lesiones personales graves.
  2. **Use equipo de protección personal. Utilice siempre protección para los ojos.** Un equipo protector tal como máscara contra el polvo, zapatos de seguridad antiderrapantes, casco rígido y protección para oídos utilizado en las condiciones apropiadas reducirá las lesiones personales.
  3. **Evite un arranque accidental. Asegúrese de que el interruptor esté en la posición de apagado antes de conectar a la alimentación eléctrica y/o colocar el paquete de baterías, así como al levantar o transportar la herramienta.** Transportar las herramientas eléctricas con su dedo en el interruptor o enchufarlas con el interruptor encendido podría ocasionar accidentes.
  4. **Retire cualquier llave de ajuste o llave de apriete antes de encender la herramienta.** Una llave de ajuste o llave de apriete que se haya dejado puesta en una pieza giratoria de la herramienta eléctrica podría ocasionar lesiones personales.
  5. **No utilice la herramienta donde no alcance. Mantenga los pies sobre suelo firme y el equilibrio en todo momento.** Esto permitirá tener un mejor control sobre la herramienta eléctrica en situaciones inesperadas.
  6. **Use una vestimenta apropiada. No use ropa suelta ni alhajas. Mantenga el cabello, la ropa y los guantes alejados de las piezas móviles.** Las prendas de vestir holgadas, las alhajas y el cabello largo suelto podrían engancharse en estas piezas móviles.
  7. **Si dispone de dispositivos para la conexión de equipos de extracción y recolección de polvo, asegúrese de conectarlos y utilizarlos debidamente.** El uso de estos dispositivos reduce los riesgos relacionados con el polvo.
  8. **No permita que la familiaridad adquirida debido al uso frecuente de las herramientas haga que se sienta confiado e ignore los principios de seguridad de las herramientas.** Un descuido podría ocasionar una lesión grave en una fracción de segundo.
9. **Utilice siempre gafas protectoras para proteger sus ojos de lesiones al usar herramientas eléctricas. Las gafas deben cumplir con la Norma ANSI Z87.1 en EUA.**  
**Es responsabilidad del empleador imponer el uso de equipos protectores de seguridad apropiados a los operadores de la herramienta y demás personas cerca del área de trabajo.**

### Mantenimiento y uso de la herramienta eléctrica

1. **No fuerce la herramienta eléctrica. Utilice la herramienta eléctrica correcta para su aplicación.** La herramienta eléctrica correcta hará un mejor trabajo de manera más segura a la velocidad para la que fue diseñada.
2. **No utilice la herramienta eléctrica si el interruptor no la enciende ni apaga.** Cualquier herramienta eléctrica que no pueda ser controlada con el interruptor es peligrosa y deberá ser reparada.
3. **Desconecte la clavija de la fuente de alimentación y/o retire la BATERÍA de la herramienta eléctrica, en caso de ser removible, antes de realizar ajustes, cambiar accesorios o almacenar las herramientas eléctricas.** Tales medidas de seguridad preventivas reducirán el riesgo de poner en marcha la herramienta eléctrica de forma accidental.
4. **Almacene las herramientas eléctricas cuando no se vayan a utilizar fuera del alcance de los niños y no permita que las personas que no estén familiarizadas con ellas o con las instrucciones las operen.** Las herramientas eléctricas son peligrosas en manos de usuarios inexpertos.
5. **Dé mantenimiento a las herramientas eléctricas y los accesorios. Compruebe que no haya piezas móviles desalineadas o estancadas, piezas rotas y cualquier otra condición que pueda afectar al funcionamiento de la herramienta eléctrica. Si la herramienta eléctrica está dañada, haga que la reparen antes de utilizarla.** Muchos de los accidentes son ocasionados por herramientas eléctricas que no han recibido un mantenimiento adecuado.
6. **Mantenga las herramientas de corte limpias y afiladas.** Las herramientas de corte que reciben un mantenimiento adecuado y tienen los bordes afilados tienen una menor probabilidad de quedar atascadas y son más fáciles de controlar.
7. **Utilice la herramienta eléctrica, así como los accesorios y puntas, etc. de acuerdo con estas instrucciones, tomando en cuenta las condiciones laborales y el trabajo a realizar.** Si utiliza la herramienta eléctrica para realizar operaciones distintas de las indicadas, podría presentarse una situación peligrosa.
8. **Mantenga las empuñaduras y superficies de asimiento secas, limpias y libres de aceite o grasa.** Las empuñaduras y superficies de asimiento resbalosas no permiten una manipulación segura ni el control de la herramienta en situaciones inesperadas.
9. **Cuando vaya a utilizar esta herramienta, evite usar guantes de trabajo de tela ya que éstos podrían atorarse.** Si los guantes de trabajo de tela llegan a atorarse en las piezas móviles, esto podría ocasionar lesiones personales.



## Servicio

1. **Haga que una persona calificada repare la herramienta utilizando sólo piezas de repuesto idénticas.** Esto garantizará que se mantenga la seguridad de la herramienta eléctrica.
2. **Siga las instrucciones para la lubricación y cambio de accesorios.**

Para reducir el riesgo de descarga eléctrica, este equipo cuenta con una clavija polarizada (una pata es más amplia o ancha que la otra). Esta clavija encajará perfectamente en una toma de corriente polarizada solamente de una manera. Si la clavija no encaja perfectamente en la toma de corriente, invierta la clavija. Si aun así no encaja, póngase en contacto con un electricista calificado para que le instale una toma de corriente apropiada. No modifique la clavija en ninguna forma.

**ADVERTENCIA SOBRE EL VOLTAJE:** Antes de conectar la herramienta a una fuente de alimentación (receptáculo, toma de corriente, etc.), asegúrese de que el voltaje suministrado sea igual al especificado en la placa de características de la herramienta. Una fuente de alimentación con un voltaje mayor al especificado para la herramienta podría ocasionar LESIONES GRAVES al usuario, así como daños a la herramienta. Si tiene dudas, NO CONECTE LA HERRAMIENTA. El utilizar una fuente de alimentación con un voltaje menor a la capacidad nominal indicada en la placa de características podría causar daños al motor. UTILICE CABLES DE EXTENSIÓN APROPIADOS. Asegúrese de que su cable de extensión esté en buenas condiciones. Cuando utilice un cable de extensión, asegúrese de utilizar uno del calibre suficiente para conducir la corriente que demande el producto. Un cable de calibre inferior ocasionará una caída en la tensión de línea y a su vez una pérdida de potencia y sobrecalentamiento. La tabla 1 muestra la medida correcta a utilizar dependiendo de la longitud del cable y el amperaje nominal indicado en la placa de características. Si no está seguro, utilice el siguiente calibre más alto. Cuanto menor sea el número de calibre, más corriente podrá conducir el cable.

**Tabla 1: Calibre mínimo para el cable**

Amperaje nominal		Voltios	Longitud total del cable en metros			
			7 m (25 ft.)	15 m (50 ft.)	30 m (100 ft.)	45,7 m (150 ft.)
120 V ~						
220 V ~ - 240 V ~						
			15 m (50 ft.)	30 m (100 ft.)	60,9 m (200 ft.)	91,4 m (300 ft.)
Más de	No más de	Calibre del cable (AWG)				
0 A	6 A	-	18	16	16	14
6 A	10 A		18	16	14	12
10 A	12 A		16	16	14	12
12 A	16 A		14	12	No se recomienda	

## Advertencias de seguridad para la esmeriladora

**Advertencias de seguridad comunes para las operaciones de lijado, cepillado con alambre:**

1. **Esta herramienta eléctrica está diseñada para funcionar como esmeriladora o cepillo de alambre. Lea todas las advertencias de seguridad, instrucciones, ilustraciones y especificaciones suministradas con esta herramienta eléctrica.** El no seguir todas las instrucciones indicadas a continuación podrá ocasionar una descarga eléctrica, incendio y/o lesiones graves.
2. **Las operaciones tales como el pulido, lijado y corte no están recomendadas para realizarse con esta herramienta eléctrica.** Las operaciones para las que la herramienta eléctrica no está diseñada pueden representar un riesgo y ocasionar lesiones personales.
3. **No utilice accesorios que no hayan sido específicamente diseñados y recomendados por el fabricante de la herramienta.** Sólo porque un accesorio pueda instalarse en su herramienta eléctrica no garantiza una operación segura.
4. **La velocidad especificada para el accesorio debe ser por lo menos la misma que la velocidad máxima marcada en la herramienta eléctrica.** Los accesorios que vayan a una velocidad mayor que su velocidad especificada pueden romperse y desintegrarse.

5. **El diámetro exterior y el grosor de su accesorio deben estar dentro de la capacidad indicada de su herramienta eléctrica.** Los accesorios de tamaño incorrecto no podrán ser protegidos ni controlados adecuadamente.
6. **El ensartado de los accesorios debe encajar en la rosca del eje de la esmeriladora. Para los accesorios instalados por medio de bridas, el orificio del eje del accesorio debe encajar con el diámetro de ubicación de la brida.** Los accesorios que no encajen con el equipo de montaje de la herramienta eléctrica se desequilibrarán, vibrarán excesivamente y podrán causar pérdida de control.
7. **No utilice accesorios dañados. Antes de cada uso, inspeccione los accesorios tales como el cepillo de alambre para verificar que no haya alambres sueltos o agrietados. Si la herramienta eléctrica o algún accesorio llegan a caerse, inspeccione que no haya daños o instale un accesorio que no esté dañado. Después de inspeccionar e instalar un accesorio, colóquense usted y las personas alrededor lejos del plano del accesorio giratorio y haga funcionar la herramienta eléctrica a la velocidad máxima sin carga durante un minuto.** Los accesorios dañados por lo general se romperán durante este tiempo de prueba.

8. **Utilice equipo de protección personal.** Dependiendo de la aplicación, use careta y gafas protectoras o de seguridad. Según resultado apropiado, use máscara contra polvo, protectores para oídos, guantes y mandil de trabajo que puedan detener pequeños fragmentos abrasivos o de la pieza de trabajo. La protección para los ojos deberá ser capaz de detener los residuos que salgan volando a causa de las distintas operaciones. La máscara contra polvo o respirador deberá ser capaz de filtrar las partículas generadas durante su operación. La exposición prolongada al ruido de alta intensidad podrá provocar pérdida auditiva.
9. **Mantenga a las personas alrededor a una distancia segura del área de trabajo. Cualquiera persona que ingrese al área de trabajo deberá usar equipo de protección personal.** Los fragmentos de la pieza de trabajo o de un accesorio roto podrán salir proyectados más allá del área inmediata de operación y causar lesiones.
10. **Cuando realice una operación en la que el accesorio de corte pueda entrar en contacto con cableado oculto o con su propio cable, sujete la herramienta eléctrica únicamente por las superficies de sujeción aisladas.** El contacto del accesorio de corte con un cable con corriente podrá hacer que la corriente pase por las partes metálicas expuestas de la herramienta eléctrica y ocasionar una descarga eléctrica al operador.
11. **Coloque el cable lejos del accesorio giratorio.** Si pierde el control, el cable podrá ser cortado o enredarse y jalar su mano o brazo hacia el accesorio giratorio.
12. **Nunca deje la herramienta eléctrica hasta que el accesorio se haya detenido completamente.** El accesorio giratorio puede agarrar la superficie y jalar la herramienta eléctrica haciendo que usted pierda el control sobre ella.
13. **No tenga encendida la herramienta eléctrica mientras la lleva cargando a un costado.** El contacto accidental con el accesorio giratorio podría enganchar su ropa y jalar el accesorio hacia su cuerpo.
14. **Limpie regularmente los orificios de ventilación de la herramienta eléctrica.** El ventilador del motor atraerá el polvo hacia el interior de la carcasa y la acumulación excesiva de polvo metálico podrá ocasionar riesgos eléctricos.
15. **No utilice la herramienta eléctrica cerca de materiales inflamables.** Las chispas pueden prender fuego a estos materiales.
16. **No utilice accesorios que requieran refrigerantes líquidos.** El uso de agua u otros refrigerantes líquidos puede ocasionar una electrocución o descarga eléctrica.

#### **Retrocesos bruscos y advertencias relacionadas**

El retroceso brusco es una reacción repentina a un atoramiento o enganchamiento de la rueda giratoria, almohadilla de soporte, cepillo o cualquier otro accesorio. El atoramiento o enganchamiento ocasiona un rápido detenimiento del accesorio giratorio que a su vez causa que la herramienta eléctrica descontrolada sea forzada en la dirección opuesta al giro del accesorio en el punto de atascamiento.

Por ejemplo, si una rueda o disco abrasivo queda enganchada o atorada por la pieza de trabajo, el borde de la rueda que está entrando en el punto de atoramiento puede hundirse en la superficie del material haciendo que la rueda se salga o salte. La rueda podrá saltar ya sea hacia el operador o en dirección contraria a él, dependiendo de la dirección del movimiento de la rueda en el punto de atoramiento. Las ruedas abrasivas también pueden romperse en estas condiciones.

El retroceso brusco es el resultado de un mal uso de la herramienta eléctrica y/o de procedimientos o condiciones de operación incorrectos y puede evitarse tomando las precauciones adecuadas tal como se indica a continuación.

1. **Mantenga sujetada firmemente la herramienta eléctrica y posicione su cuerpo y brazo de manera que pueda resistir las fuerzas del retroceso brusco. De estar disponible, utilice siempre el mango auxiliar para un control máximo durante un retroceso brusco o reacción de torsión durante la puesta en marcha de la herramienta.** El operador puede controlar las reacciones de torsión o fuerzas del retroceso brusco siempre y cuando se tomen las precauciones adecuadas.
2. **Nunca coloque su mano cerca del accesorio giratorio.** El accesorio puede tener un retroceso brusco sobre su mano.
3. **No posicione su cuerpo en el área donde la herramienta eléctrica pueda desplazarse en caso de ocurrir un retroceso brusco.** El retroceso brusco proyectará la herramienta en dirección opuesta al movimiento de la rueda en el punto de enganchamiento.
4. **Tenga especial cuidado al trabajar en esquinas, bordes filosos, etc. Evite que el accesorio rebote o se enganche.** Las esquinas, bordes filosos o rebotes tienden a enganchar el accesorio giratorio y ocasionar la pérdida de control o un retroceso brusco.
5. **No coloque una cadena de sierra, un disco para labrar madera ni un disco de la sierra dentado.** Dichos discos ocasionan con frecuencia un retroceso brusco y la pérdida de control.

#### **Advertencias de seguridad específicas para la operación de esmerilado:**

1. **Use solamente los tipos de ruedas recomendados para su herramienta eléctrica y el protector diseñado específicamente para la rueda seleccionada.** Las ruedas para las que esta herramienta eléctrica no está diseñada no podrán ser protegidas adecuadamente y resultarán inseguras.
2. **La superficie de esmerilado de las ruedas o discos abrasivos de centro hundido debe quedar colocada debajo del plano del borde del protector.** Una rueda instalada incorrectamente que se proyecte a través del plano del borde del protector no podrá ser protegida adecuadamente.
3. **El protector debe quedar bien instalado y colocado en la herramienta eléctrica para garantizar la máxima seguridad, de tal manera que el operador esté lo menos expuesto posible a la rueda.** El protector ayuda a proteger al operador de los fragmentos rotos de la rueda, del contacto accidental con la rueda y de las chispas que podrían prender fuego a la ropa.

4. Las ruedas deben usarse únicamente para las aplicaciones recomendadas.
5. Utilice siempre bridas para ruedas que no estén dañadas y del tamaño y la forma correctos para la rueda seleccionada. Las bridas para ruedas adecuadas soportan la rueda reduciendo así la posibilidad de rotura de la rueda.
6. No utilice ruedas que estén desgastadas de herramientas eléctricas más grandes. Una rueda diseñada para una herramienta eléctrica más grande no es adecuada para la velocidad mayor de una herramienta más pequeña y puede reventarse.
11. No utilice bujes de reducción ni adaptadores separados para adaptar ruedas abrasivas con orificios grandes.
12. Utilice solamente las bridas especificadas para esta herramienta.
13. En el caso de las herramientas diseñadas para la instalación con ruedas de orificio roscado, asegúrese de que la rosca de la rueda sea lo suficientemente larga para acoplarse a la longitud del eje.
14. Verifique que la pieza de trabajo esté debidamente apoyada.
15. Tenga en cuenta que la rueda continuará girando después de haber apagado la herramienta.

**Advertencias de seguridad específicas para las operaciones de cepillado con alambre:**

1. Tenga en cuenta que incluso durante la operación normal pueden salir expulsadas cerdas de alambre del cepillo. Evite aplicar demasiada presión en los alambres sobrecargando excesivamente el cepillo. Las cerdas de alambre pueden penetrar fácilmente la ropa ligera y/o la piel.
2. Si se recomienda utilizar un protector durante el cepillado con alambre, impida cualquier interferencia de la rueda o cepillo de alambre con el protector. El diámetro de la rueda o cepillo de alambre puede aumentar a causa de la carga de trabajo y las fuerzas centrífugas.

**Advertencias de seguridad adicionales:**

1. Cuando utilice ruedas de esmerilado de centro hundido, asegúrese de utilizar solamente ruedas reforzadas con fibra de vidrio.
2. NUNCA UTILICE ruedas de tipo copa de piedra con esta esmeriladora. Esta esmeriladora no está diseñada para estos tipos de ruedas y el uso de dichos productos puede ocasionar lesiones personales graves.
3. Tenga cuidado de no dañar el eje, la brida (especialmente la superficie de instalación) o la contratuerca. Si estas piezas se dañan la rueda podría romperse.
4. Asegúrese de que la rueda no esté haciendo contacto con la pieza de trabajo antes de activar el interruptor.
5. Antes de utilizar la herramienta en una pieza de trabajo definitiva, déjala funcionar durante un rato. Observe si hay vibración o bamboleo que pueda indicar una instalación incorrecta o una rueda mal equilibrada.
6. Utilice la superficie especificada de la rueda para realizar el esmerilado.
7. No deje la herramienta funcionando. Mantenga en marcha la herramienta solamente cuando la esté sosteniendo con la mano.
8. No toque la pieza de trabajo inmediatamente después de la operación, ya que podría estar extremadamente caliente y provocarle quemaduras en la piel.
9. No toque los accesorios inmediatamente después de la operación, ya que podrían estar extremadamente calientes y provocarle quemaduras en la piel.
10. Siga las instrucciones del fabricante para la instalación y el uso correctos de las ruedas. Manipule y almacene las ruedas con cuidado.


11. Si el lugar de trabajo es extremadamente caluroso y húmedo, o si está muy contaminado con polvo conductor, utilice un interruptor de cortocircuito (30 mA) para garantizar la seguridad del operador.
17. No utilice la herramienta con ningún material que contenga asbesto.
18. No utilice guantes de trabajo de tela durante la operación. Las fibras de los guantes de tela podrían introducirse en la herramienta ocasionando la rotura de ésta.

## GUARDE ESTAS INSTRUCCIONES.

**⚠️ ADVERTENCIA: NO DEJE** que la comodidad o familiaridad con el producto (a base de utilizarlo repetidamente) sustituya la estricta observancia de las normas de seguridad para dicho producto. El MAL USO o el no seguir las normas de seguridad establecidas en este manual de instrucciones puede ocasionar lesiones personales graves.

### Símbolos

A continuación se muestran los símbolos utilizados para la herramienta.

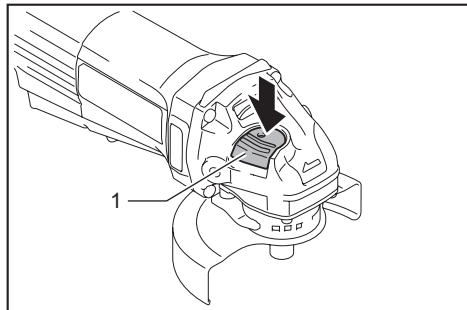
V	volts o voltios
A	amperes
Hz	hertz
~	corriente alterna
n	velocidad especificada
	Construcción clase II
... /min r /min	revoluciones o alternaciones por minuto, frecuencia de rotación
∅	diámetro

## DESCRIPCIÓN DEL FUNCIONAMIENTO

**⚠PRECAUCIÓN:** Asegúrese siempre de que la herramienta esté apagada y desconectada antes de ajustar o comprobar cualquier función en la herramienta.

### Bloqueo del eje

Presione el bloqueo del eje para impedir que éste gire al instalar o extraer accesorios.



▶ 1. Bloqueo del eje

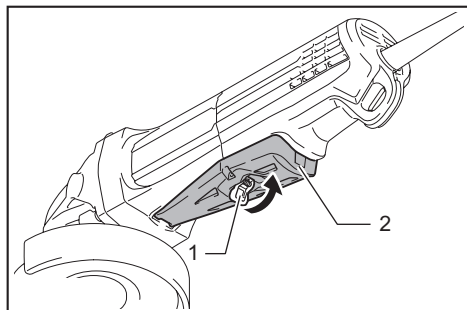
**AVISO:** Nunca accione el bloqueo del eje cuando éste se esté moviendo. La herramienta podría dañarse.

### Accionamiento del interruptor

**⚠PRECAUCIÓN:** Antes de conectar la herramienta, compruebe siempre que el gatillo interruptor se accione debidamente y que regrese a la posición de apagado (OFF) cuando se libere.

**⚠PRECAUCIÓN:** No jale la palanca interruptora forzosamente sin haber oprimido el botón de desbloqueo. El interruptor podría averiarse.

Para evitar que la palanca interruptora sea jalada accidentalmente, se proporciona una palanca de desbloqueo. Para arrancar la herramienta, jale la palanca de desbloqueo hacia el operador y luego jale la palanca interruptora. Para detener la herramienta, libere la palanca interruptora.



▶ 1. Palanca de desbloqueo 2. Palanca interruptora

## Prueba contra el encendido no intencional

La herramienta no enciende mientras se jala la palanca interruptora, aun cuando la herramienta esté conectada. Para arrancar la herramienta, primero suelte la palanca interruptora. Después jale la palanca de desbloqueo y luego la palanca interruptora.

**NOTA:** Espere más de un segundo antes de reiniciar la herramienta cuando la prueba contra el encendido no intencional esté funcionando.

### Función de inicio suave

La función de inicio suave reduce la reacción al arranque.

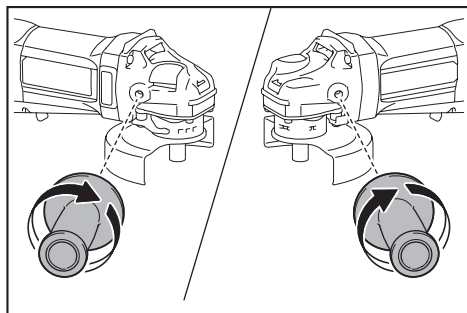
## MONTAJE

**⚠PRECAUCIÓN:** Asegúrese siempre de que la herramienta esté apagada y desconectada antes de realizar cualquier trabajo en la misma.

### Instalación de la empuñadura lateral (mango)

**⚠PRECAUCIÓN:** Antes de realizar una operación, asegúrese siempre de que la empuñadura lateral esté instalada firmemente.

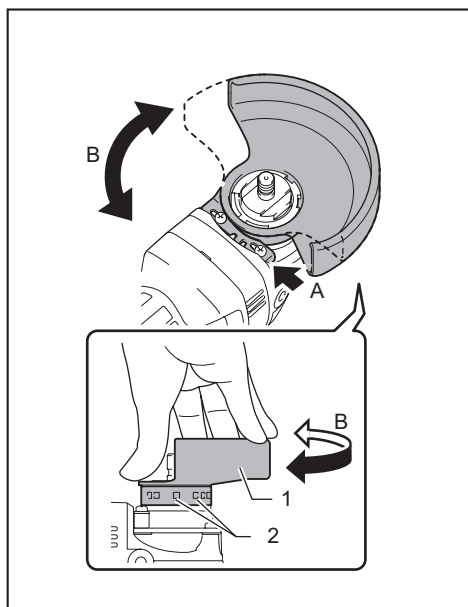
Atornille firmemente la empuñadura lateral en la posición de la herramienta tal como se muestra en la figura.



### Ajuste del ángulo del protector de la rueda

**⚠ADVERTENCIA:** Asegúrese de que el protector de la rueda esté bloqueado firmemente mediante la palanca de bloqueo con uno de los orificios del protector de la rueda.

El ángulo del protector de la rueda puede ajustarse. Mientras oprime la palanca de bloqueo, gire el protector de la rueda hacia B, y luego cambie el ángulo del protector de la rueda de acuerdo con el trabajo, de manera que el operador pueda estar protegido. Alinee la palanca de bloqueo con uno de los orificios del protector de la rueda, y luego suelte la palanca de bloqueo para bloquear el protector de la rueda.



► 1. Protector de la rueda 2. Orificio

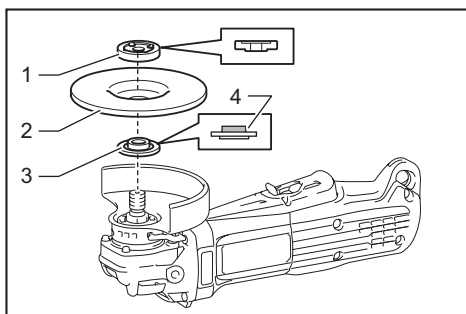
## Instalación o extracción de una rueda de centro hundido o disco abatible

### Accesorio opcional

**⚠ADVERTENCIA:** Cuando se utilice una rueda de centro hundido o disco abatible, el protector de la rueda deberá estar instalado en la herramienta de tal forma que el lado cerrado del protector siempre quede orientado hacia el operador.

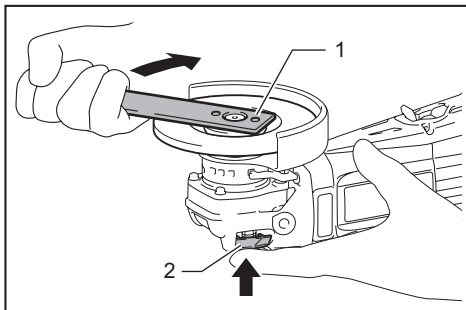
**⚠PRECAUCIÓN:** Asegúrese de que la pieza de instalación de la brida interior encaje perfectamente en el diámetro interior de la rueda de centro hundido / disco abatible. La instalación de la brida interior en el lado incorrecto puede ocasionar una vibración peligrosa.

Instale la brida interior en el eje. Asegúrese que la parte dentada de la brida interior encaje en la parte recta del fondo del eje. Coloque la rueda de centro hundido / disco abatible en la brida interior y atornille la contratuerca en el eje.



► 1. Contratuerca 2. Rueda de centro hundido 3. Brida interior 4. Pieza de instalación

Para apretar la contratuerca, presione el bloqueo del eje firmemente para que el eje no pueda girar, después apriete firmemente usando la llave de contratuerca en el sentido de las manecillas del reloj.



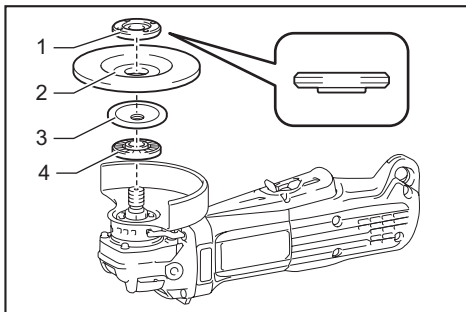
► 1. Llave de contratuerca 2. Bloqueo del eje

Para extraer la rueda, siga el procedimiento de instalación en orden inverso.

## Instalación o extracción de una rueda flexible

### Accesorio opcional

**⚠ADVERTENCIA:** Utilice siempre el protector suministrado cuando la rueda flexible esté instalada en la herramienta. La rueda puede desintegrarse durante el uso y el protector ayuda a reducir las posibilidades de una lesión personal.



► 1. Contratuerca 2. Rueda flexible 3. Almohadilla de soporte 4. Brida interior

Siga las instrucciones para la rueda de centro hundido pero utilice también una almohadilla de soporte sobre la rueda. Vea el orden de montaje en la página de accesorios de este manual.

## OPERACIÓN

**⚠ADVERTENCIA:** Nunca deberá ser necesario forzar la herramienta. El peso de la herramienta aplica la presión adecuada. Una fuerza y presión excesivas podrían ocasionar una peligrosa rotura de la rueda.

**⚠ADVERTENCIA:** SIEMPRE reemplace la rueda si la herramienta llega a caerse durante el esmerilado.

**⚠ADVERTENCIA:** NUNCA pegue o golpee el disco o la rueda de esmerilado contra la pieza de trabajo.

**⚠ADVERTENCIA:** Evite los rebotes y enganchemientos de la rueda, especialmente cuando trabaje en esquinas, bordes filosos, etc. Esto podría ocasionar la pérdida de control y un retroceso brusco.

**⚠ADVERTENCIA:** NUNCA utilice esta herramienta con discos para cortar madera ni otros discos de la sierra. Los discos de ese tipo cuando se utilizan en una esmeriladora con frecuencia ocasionan retrocesos bruscos y pérdida de control provocando a su vez lesiones personales.

**⚠ADVERTENCIA:** El uso continuo de una rueda desgastada podrá ocasionar la explosión de la rueda y lesiones personales graves.

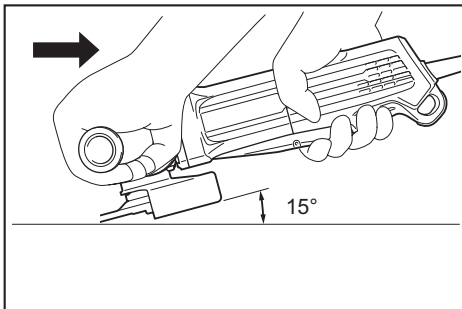
**⚠PRECAUCIÓN:** Nunca encienda la herramienta cuando ésta esté en contacto con la pieza de trabajo, esto podría ocasionar lesiones al operador.

**⚠PRECAUCIÓN:** Use siempre gafas de seguridad o careta durante la operación.

**⚠PRECAUCIÓN:** Después de la operación, apague siempre la herramienta y espere hasta que la rueda se haya detenido por completo antes de dejar la herramienta.

**⚠PRECAUCIÓN:** SIEMPRE sujete la herramienta firmemente con una mano en la carcasa y la otra en la empuñadura lateral (mango).

## Operación con rueda / disco



Encienda la herramienta y después aplique la rueda o disco a la pieza de trabajo.

Procure en general mantener el borde de la rueda o disco a un ángulo de aproximadamente 15° con respecto a la superficie de la pieza de trabajo. Durante el período de uso inicial de una rueda nueva, no trabaje con la esmeriladora en dirección hacia adelante ya que podría cortar la pieza de trabajo. Una vez que el borde de la rueda se haya redondeado con el uso, se podrá trabajar con la rueda tanto en dirección hacia adelante como hacia atrás.

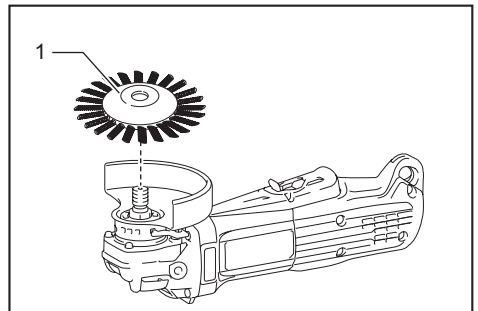
## Operación con rueda de cepillo de alambre

### Accesorio opcional

**⚠PRECAUCIÓN:** Verifique la operación de la rueda de cepillo de alambre haciendo funcionar la herramienta sin carga y asegurándose de que no haya nadie enfrente ni en línea con la rueda de cepillo de alambre.

**⚠PRECAUCIÓN:** No utilice una rueda de cepillo de alambre que esté dañada o desequilibrada. El uso de una rueda de cepillo de alambre dañada podría aumentar la posibilidad de lesiones a causa del contacto con alambres rotos.

**⚠PRECAUCIÓN:** SIEMPRE utilice el protector con ruedas de cepillo de alambre, asegurándose de que el diámetro de la rueda encaje dentro del protector. La rueda puede desintegrarse durante el uso y el protector ayuda a reducir las posibilidades de una lesión personal.



► 1. Rueda de cepillo de alambre

Desconecte la herramienta y póngala al revés para permitir un acceso fácil al eje. Quite cualquier accesorio que haya en el eje. Enrosque la rueda de cepillo de alambre en el eje y apriete con las llaves.

**AVISO:** Cuando utilice la rueda de cepillo de alambre, evite aplicar mucha presión que haga que los alambres se doblen demasiado. Esto podría provocar una rotura prematura.



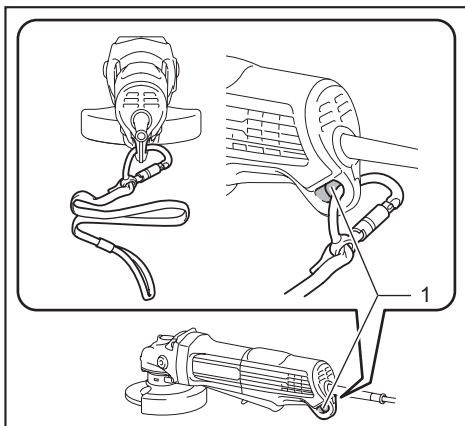
## Conexión con cordeles (correas de atadura)

**⚠ Advertencias de seguridad específicas para uso en alturas**

Lea todas las advertencias de seguridad e instrucciones. El no seguir las advertencias e instrucciones podría ocasionar lesiones graves.

1. Mantenga siempre la herramienta atada cuando trabaje "en alturas". La longitud máxima del cordel es de 2 m (6,5 ft). La altura de caída máxima permisible para el cordel de seguridad (correa de amarre) no deberá superar los 2 m (6,5 ft).
2. Use únicamente con cordeles apropiados para este tipo de herramienta y clasificados para al menos 4,0 kg (8,8 lbs).
3. No ancle el cordel de la herramienta a nada en su cuerpo o a componentes móviles. Ancle el cordel de la herramienta a una estructura rígida que pueda soportar las fuerzas de una herramienta en caída.
4. Asegúrese de que el cordel esté debidamente asegurado de cada extremo previo al uso.
5. Inspeccione la herramienta y el cordel antes de cada uso para ver que no tengan daños y que funcionen correctamente (incluyendo la tela y las puntadas). No los utilice si presentan daños o no funcionan correctamente. La herramienta debe repararse en especial cuando aparezca una grieta o una línea roja alrededor del orificio para el cordel de seguridad.
6. No envuelva cordeles alrededor de bordes filosos o ásperos ni permita que estos entren en contacto con ellos.
7. Asegure el otro extremo del cordel fuera del área de trabajo de manera que la herramienta en caída esté firmemente sujeta.
8. Fije el cordel de forma que la herramienta se mueva lejos del operador en caso de que esta se caiga. Las herramientas en caída se balancean en el cordel, lo que puede ocasionar lesiones o la pérdida del equilibrio.
9. No la utilice cerca de piezas móviles o maquinaria funcionando. El hacerlo podría ocasionar riesgo de choque o enredo.
10. No transporte la herramienta sujetándola del dispositivo de atadura o el cordel.
11. Cargue la herramienta únicamente entre sus manos mientras mantenga bien el equilibrio.
12. No ate cordeles a la herramienta de manera que evite que los protectores, interruptores o bloques funcionen correctamente.
13. Evite enredarse en el cordel.
14. Mantenga el cordel alejado del área de corte de la herramienta.
15. Use una carabina de bloqueo (de tipo multiacción y de seguro de rosca). No use carabinas de tipo acción única con gancho de resorte.
16. En caso de que la herramienta llegue a caerse, esta debe etiquetarse, sacarse de servicio y ser inspeccionada por una fábrica o centro de servicio autorizado Makita.

17. Fije el cordel de seguridad solamente con una carabina de bloqueo. No fije el cordel de seguridad al enrollar o anudar el cordel de seguridad. No utilice cuerdas o cables.



► 1. Orificio para el cordel (correa de atadura)

## MANTENIMIENTO

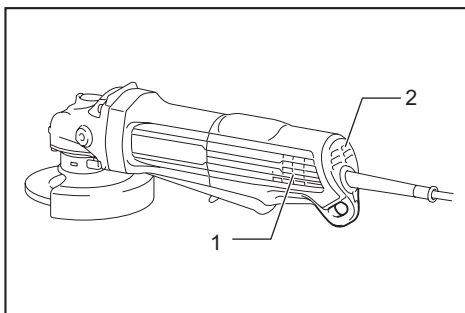
**⚠ PRECAUCIÓN:** Asegúrese siempre de que la herramienta esté apagada y desconectada antes de intentar realizar una inspección o mantenimiento.

**AVISO:** Nunca use gasolina, bencina, diluyente (tíner), alcohol o sustancias similares. Puede que esto ocasione grietas o descoloramiento.

Para mantener la SEGURIDAD y FIABILIDAD del producto, las reparaciones, y cualquier otra tarea de mantenimiento o ajuste deberán ser realizadas en centros de servicio autorizados o de fábrica Makita, empleando siempre repuestos Makita.

## Limpieza del orificio de ventilación

La herramienta y sus orificios de ventilación deben mantenerse limpios. Limpie regularmente los orificios de ventilación de la herramienta o siempre que los orificios empiecen a obstruirse.



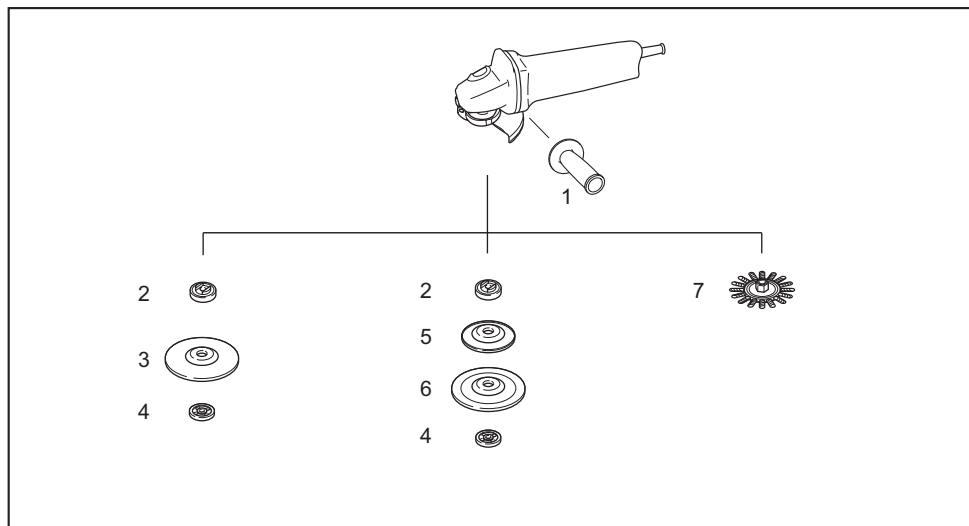
► 1. Ventilación de salida 2. Ventilación de entrada



# ACCESORIOS OPCIONALES

**⚠️ PRECAUCIÓN:** Estos accesorios o aditamentos están recomendados para utilizarse con su herramienta Makita especificada en este manual. El empleo de cualquier otro accesorio o aditamento puede conllevar el riesgo de lesiones personales. Utilice los accesorios o aditamentos solamente para su fin establecido.

Si necesita cualquier ayuda para más detalles en relación con estos accesorios, pregunte a su centro de servicio local Makita.



-	Modelo de 115 mm (4-1/2")	Modelo de 125 mm (5")
1	Empuñadura lateral	
2	Brida interior	
3	Rueda de centro hundido/disco abatible	
4	Contratuercas	
5	Almohadilla de soporte	
6	Rueda flexible	
7	Rueda de cepillo de alambre	
-	Llave de contratuerca	
-	Aditamento para la cubierta contra polvo	

**NOTA:** Algunos de los artículos en la lista pueden incluirse en el paquete de la herramienta como accesorios estándar. Éstos pueden variar de país a país.

## GARANTÍA LIMITADA DE MAKITA

### Ésta Garantía no aplica para México

Consulte la hoja de la garantía anexa para ver los términos más vigentes de la garantía aplicable a este producto. En caso de no disponer de esta hoja de garantía anexa, consulte los detalles sobre la garantía descritos en el sitio web de su país respectivo indicado a continuación.

Estados Unidos de América: [www.makitatools.com](http://www.makitatools.com)

Canadá: [www.makita.ca](http://www.makita.ca)

Otros países: [www.makita.com](http://www.makita.com)



< USA only >

# WARNING

Some dust created by power sanding, sawing, grinding, drilling, and other construction activities contains chemicals known to the State of California to cause cancer, birth defects or other reproductive harm. Some examples of these chemicals are:

- lead from lead-based paints,
- crystalline silica from bricks and cement and other masonry products, and
- arsenic and chromium from chemically-treated lumber.

Your risk from these exposures varies, depending on how often you do this type of work. To reduce your exposure to these chemicals: work in a well ventilated area, and work with approved safety equipment, such as those dust masks that are specially designed to filter out microscopic particles.

< Sólo en los Estados Unidos >

# ADVERTENCIA

Algunos polvos creados por el lijado, aserrado, esmerilado, taladrado y otras actividades de la construcción contienen sustancias químicas reconocidas por el Estado de California como causantes de cáncer, defectos de nacimiento y otros peligros de reproducción. Algunos ejemplos de estos productos químicos son:

- plomo de pinturas a base de plomo,
- sílice cristalino de ladrillos y cemento y otros productos de albañilería, y
- arsénico y cromo de maderas tratadas químicamente.

El riesgo al que se expone varía, dependiendo de la frecuencia con la que realice este tipo de trabajo. Para reducir la exposición a estos productos químicos: trabaje en un área bien ventilada y póngase el equipo de seguridad indicado, tal como las máscaras contra polvo que están especialmente diseñadas para filtrar partículas microscópicas.

**Makita Corporation**

3-11-8, Sumiyoshi-cho,  
Anjo, Aichi 446-8502 Japan

[www.makita.com](http://www.makita.com)

885736A947  
GA453R-1  
EN, FRCA, ESMX  
20200623